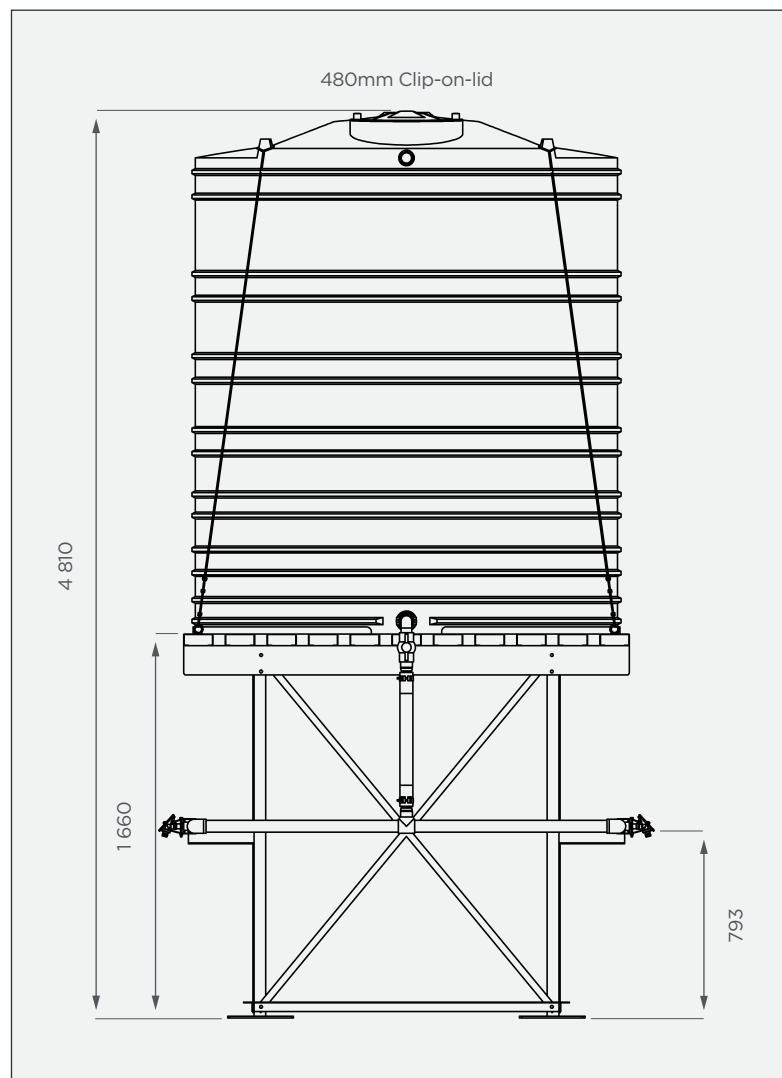


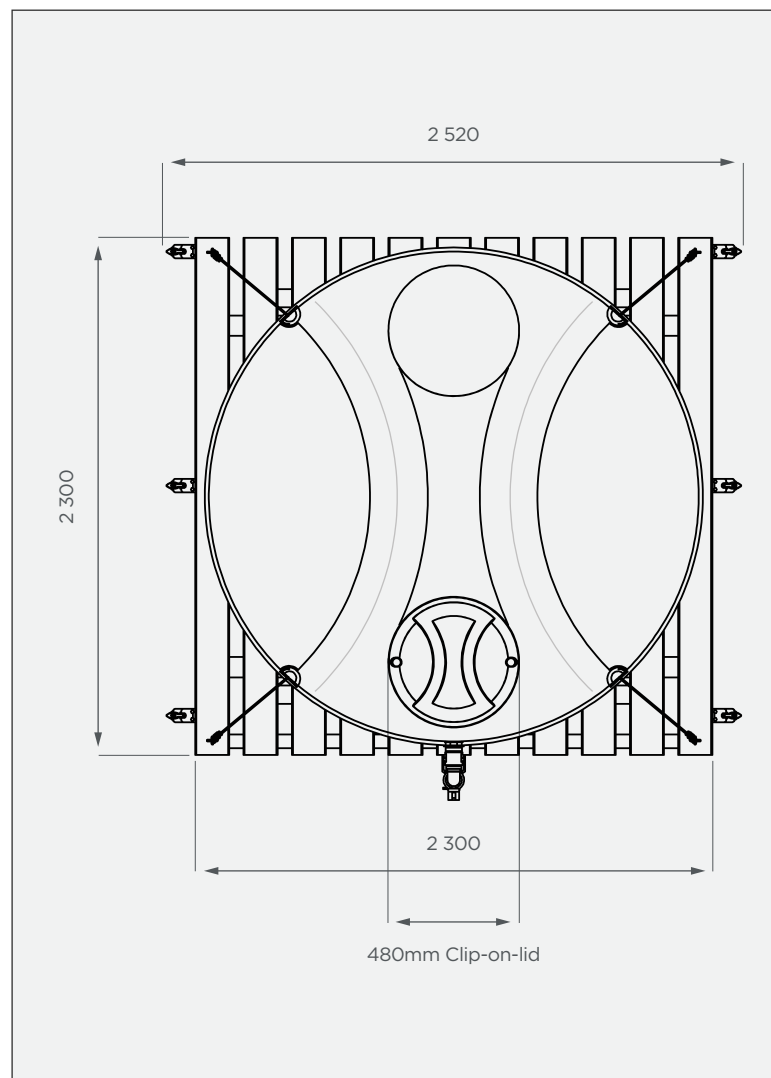
10 000 lt Communal Water Station

This is a non-stock item in specific colours

FRONT VIEW



TOP VIEW



PRODUCT SPECIFICATIONS

Water	SG 1
Lid	480mm

Supplied with:

- 1 x 10 000lt vertical water tank
- 1 x 1.5m tank stand
- 6 x taps with anti-theft systems
- Quick couplers and flexible supply pipes
- Spotwelded bolts, nuts & pipes
- Wire & turnbuckles

Standard Colours

These colours are available at a 14 calendar day lead time.



Note: Any colours not mentioned above can be custom manufactured at extended lead times.

Stand

- Painted with Red-oxide
- Supplied as an assembled unit

10-year warranty

10
YEAR
WARRANTY

- Made with the best quality virgin LLDPE
- UV-stabilised outer layer
- BPA-free, food-grade layer prevents leaching of harmful chemicals
- Black inner layer prevents algae growth

All dimensions are in millimeters and scale is not 100% to scale. This drawing is the property of JoJo.