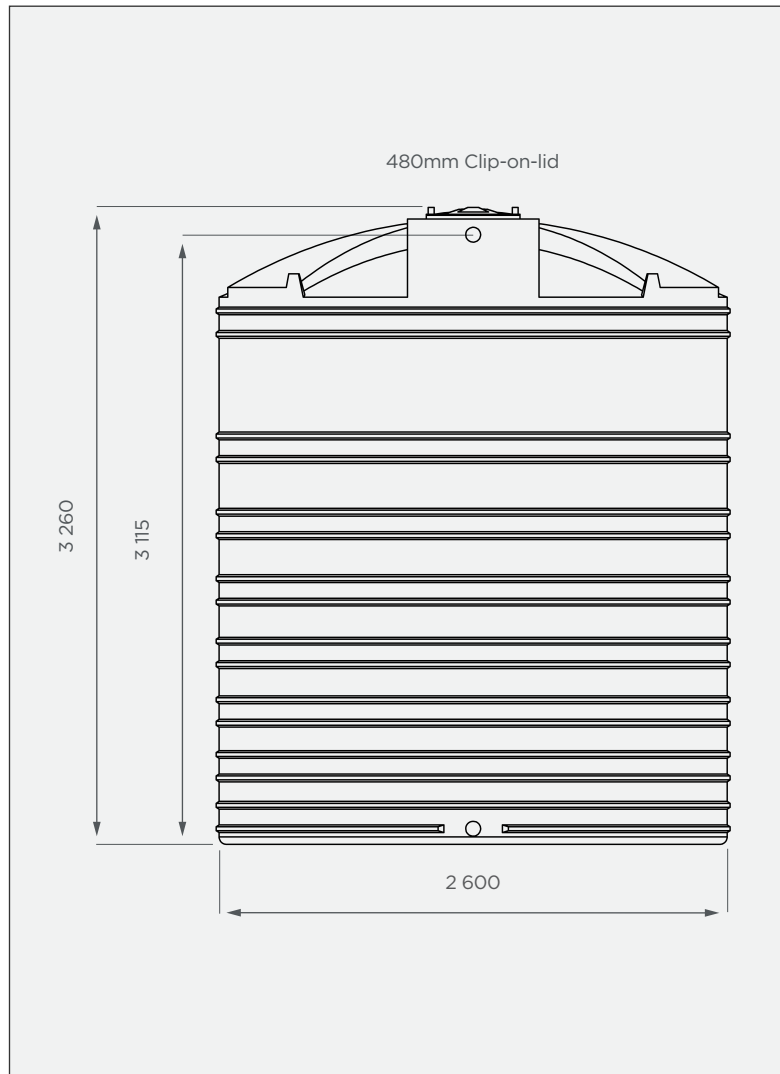


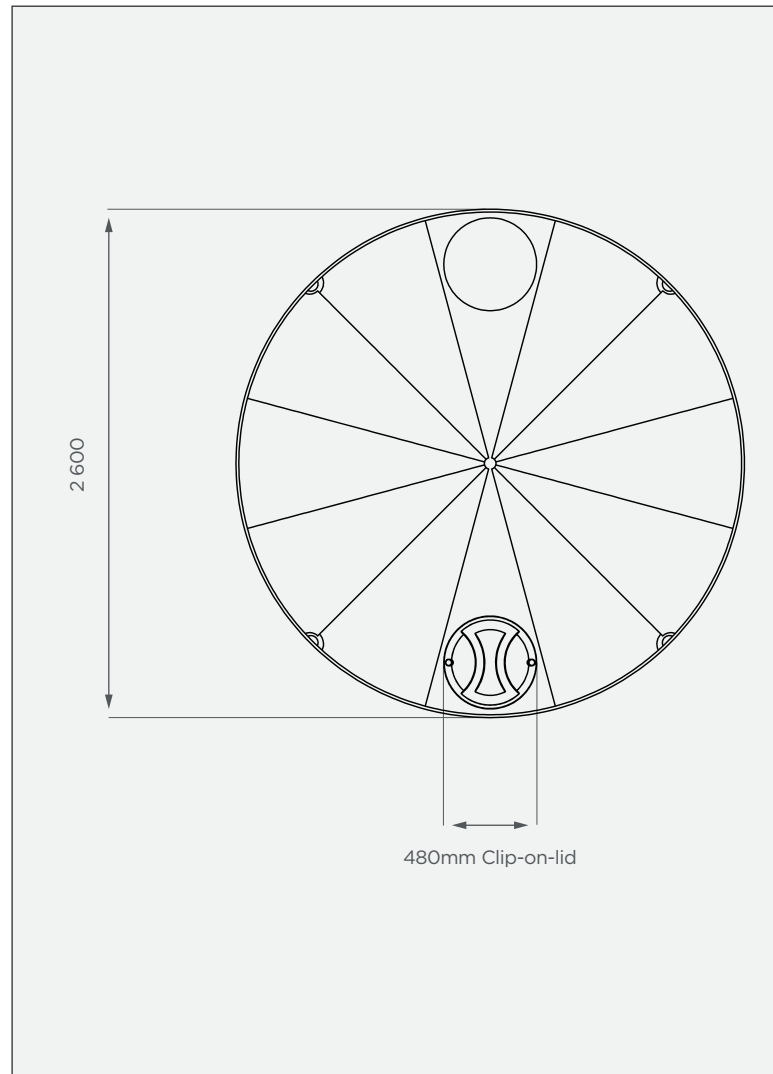
15 000 lt Vertical Water Tank

This is a non-stock item in specific colours

FRONT VIEW



TOP VIEW



PRODUCT SPECIFICATIONS

Water	SG 1
Inlet	40mm female water fitting
Overflow	40mm female water fitting
Outlet	50mm tank connector
Lid	480mm

Standard Colours

Stock items are subject to a 7 calendar day lead time.



Note: Any colours not mentioned above can be custom manufactured at extended lead times.

* Transport costs apply

** 50% Deposit is required to confirm order

10-year warranty



- Made with the best quality virgin LLDPE
- UV-stabilised outer layer
- BPA-free, food-grade layer prevents leaching of harmful chemicals
- Black inner layer prevents algae growth

All dimensions are in millimeters and scale is not 100% to scale. This drawing is the property of JoJo.