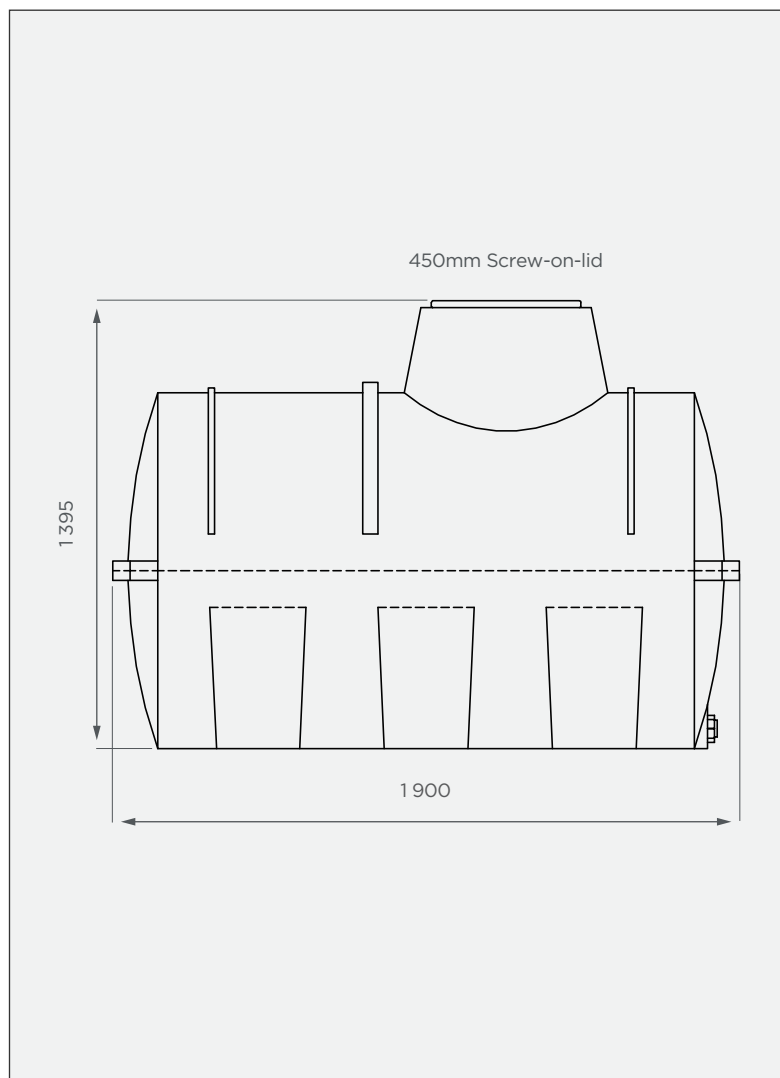


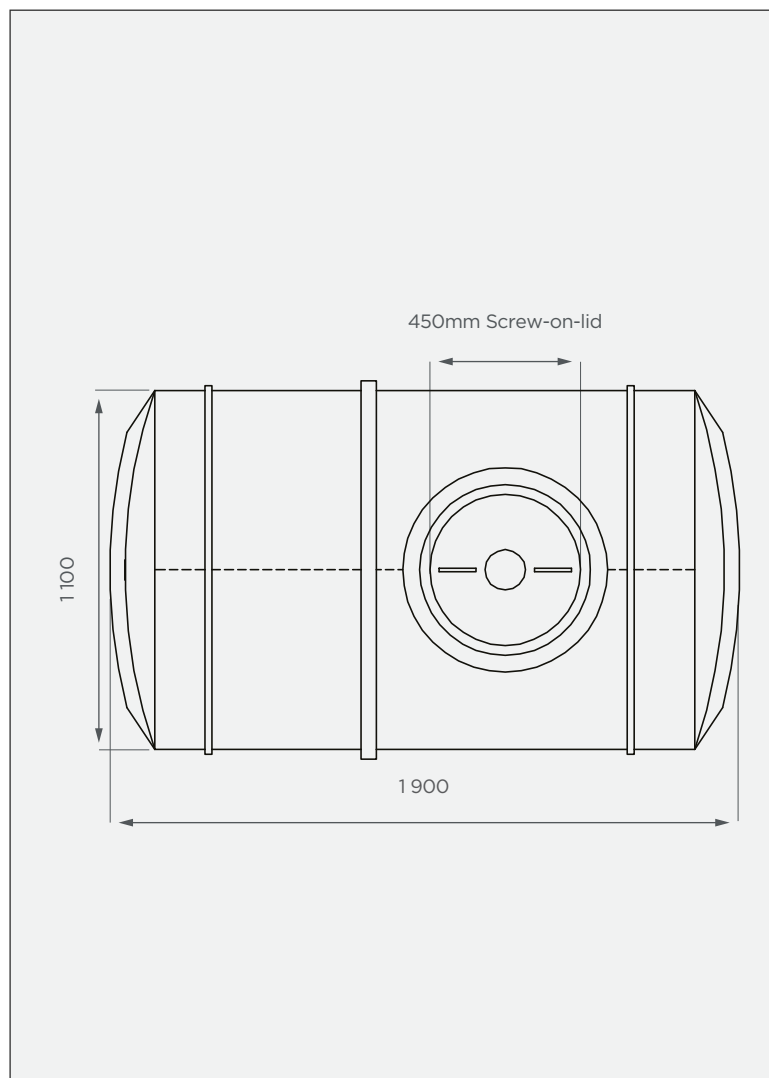
# 1 500 lt Horizontal Medium Tank

This is a non-stock item

**SIDE VIEW**



**TOP VIEW**



**PRODUCT SPECIFICATIONS**

Chemical / Medium	SG 1.4
Outlet	40mm connector
Lid	450mm

**Standard Colours**

These colours are available at a 14 calendar day lead time.



**Alternative Formats**

This tank can be custom manufactured for water storage, but without a black inner lining, and in the following colour.



**Note**

Lead time to be confirmed with the relevant branch.

**10-year warranty**

- Made with food-grade, virgin LLDPE
- BPA-free
- UV-resistant & chemical-resistant



All dimensions are in millimeters and scale is not 100% to scale. This drawing is the property of JoJo.