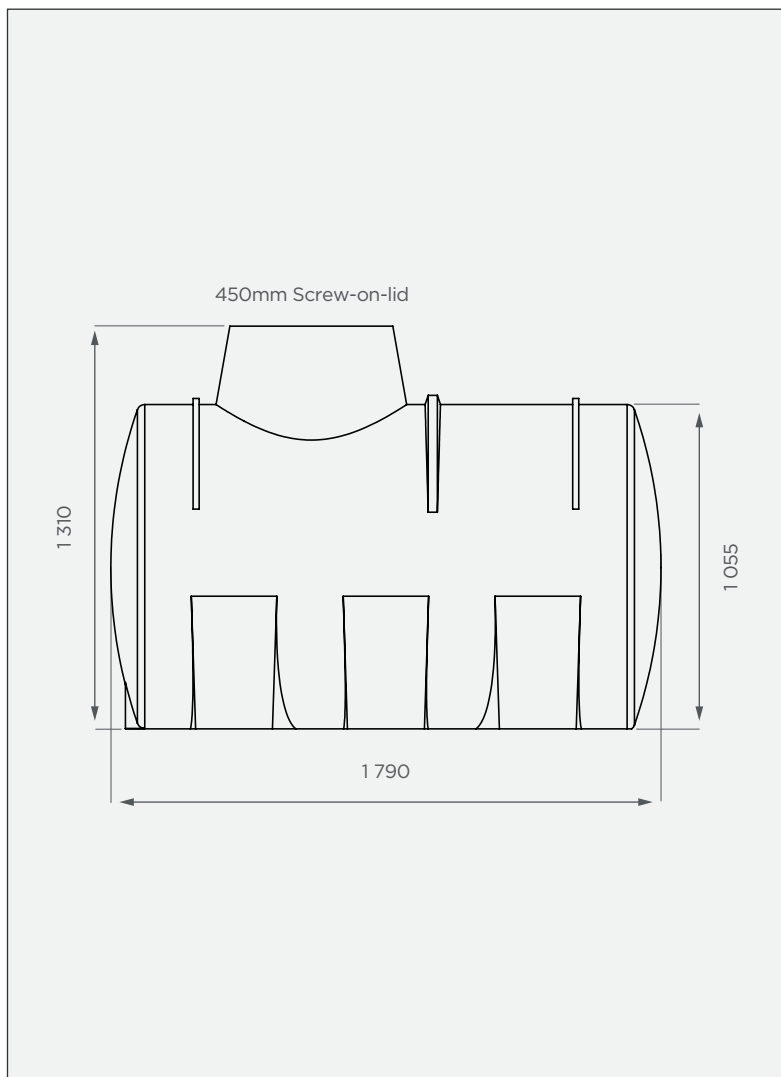


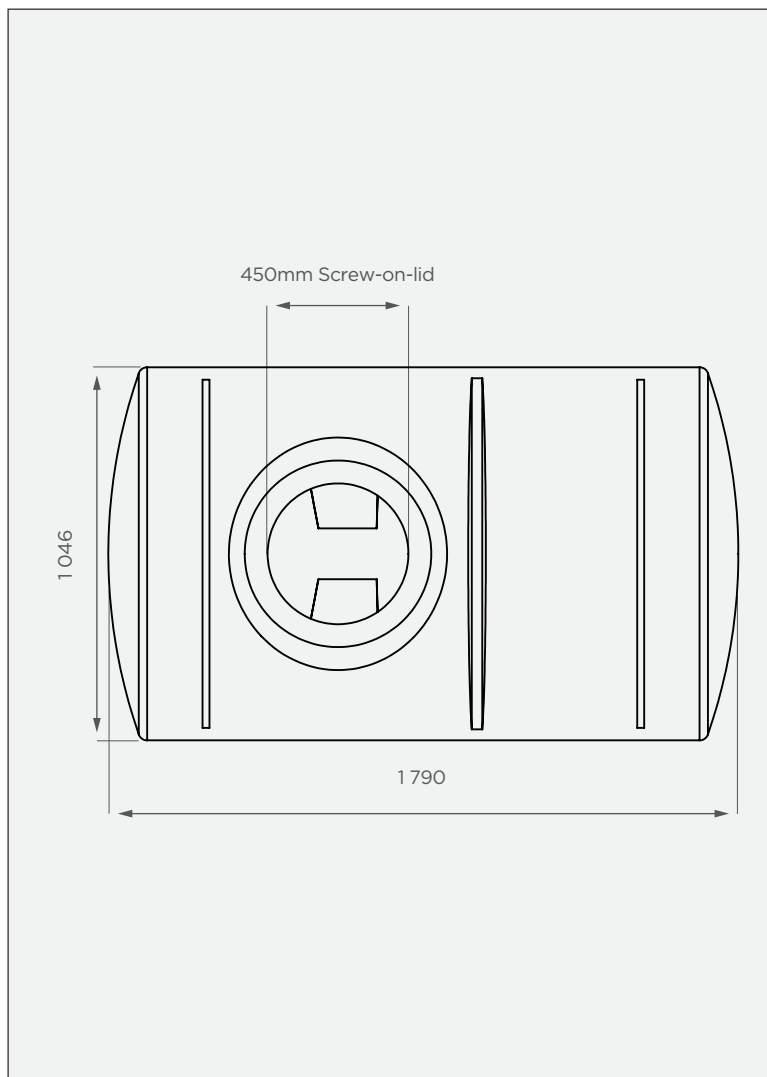
1 500 lt Horizontal Medium Tank Western Cape Mould

This is a non-stock item

SIDE VIEW



TOP VIEW



PRODUCT SPECIFICATIONS

Chemical / Medium	SG 1.4
Outlet	40mm connector
Lid	450mm

Standard Colours

These colours are available at a 14 calendar day lead time.



Alternative Formats

This tank can be custom manufactured for water storage, but without a black inner lining, and in the following colour.



Note

Lead time to be confirmed with the relevant branch.

10-year warranty



- Made with food-grade, virgin LLDPE
- BPA-free
- UV-resistant & chemical-resistant

All dimensions are in millimeters and scale is not 100% to scale. This drawing is the property of JoJo.