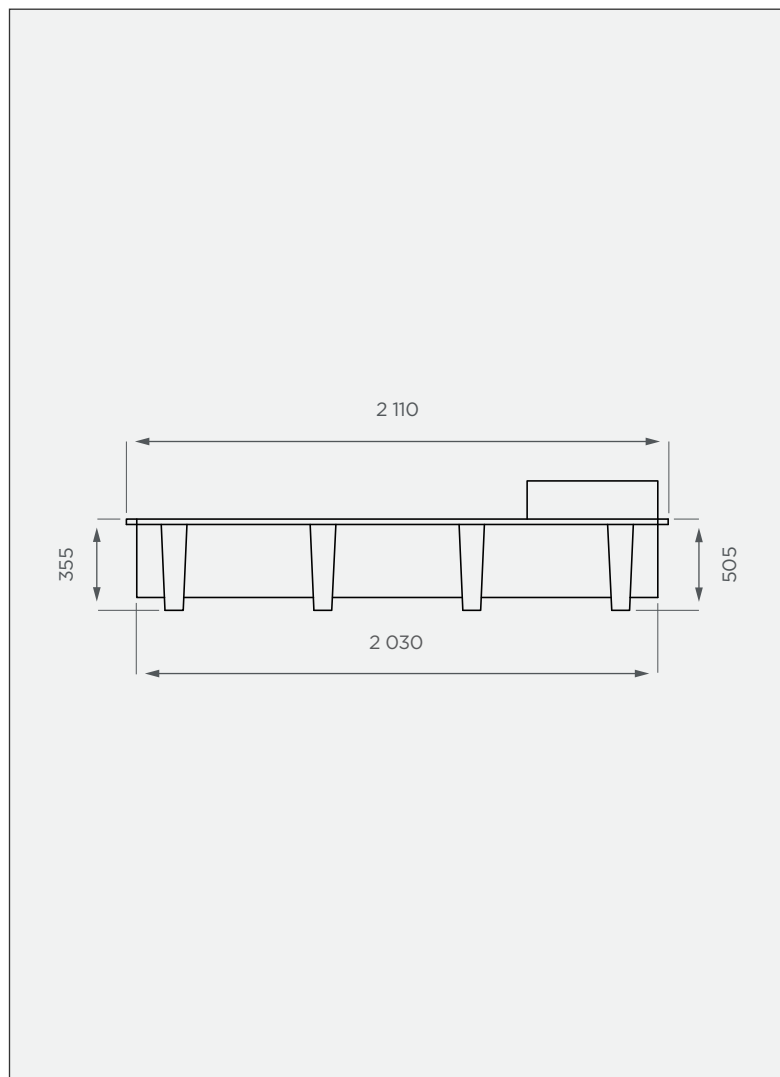


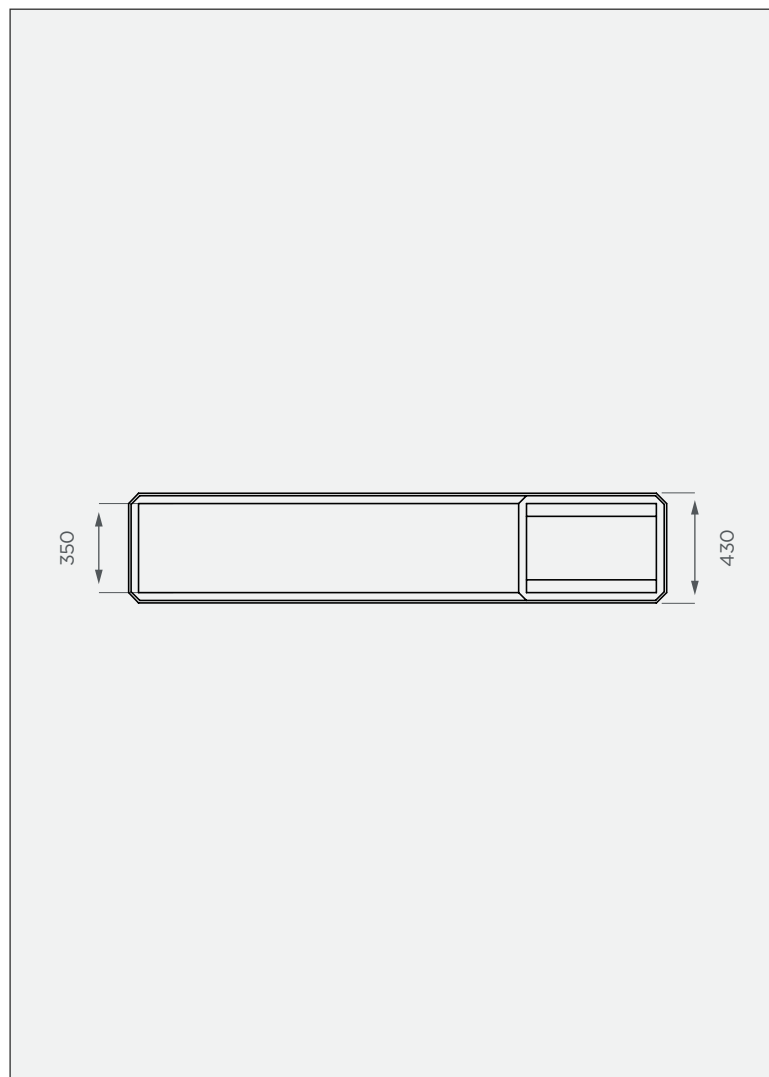
# 160 It Sheep Trough

This is a stock item in Black

**SIDE VIEW**



**TOP VIEW**



## PRODUCT SPECIFICATIONS

Inlet	Ball valve
Outlet	50/40mm reducer
- complete with	Thumb end plug

### Standard Colour

Stock items are subject to a 7 calendar day lead time.



### Alternative Colour

This colour is available at a 14 calendar day lead time.



Note: Any colours not mentioned above can be custom manufactured at extended lead times.

### 3-year warranty



- Made with the best food-grade, quality virgin LLDPE
- UV & corrosion-resistant
- BPA-free

All dimensions are in millimeters and scale is not 100% to scale. This drawing is the property of JoJo.