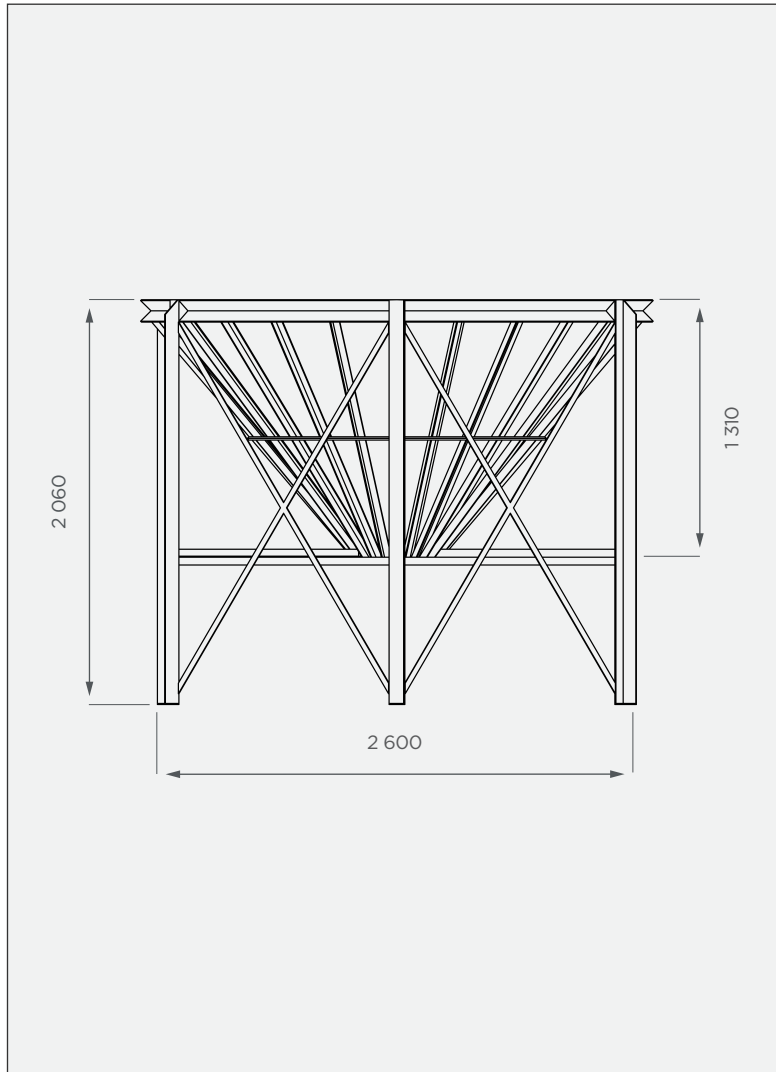


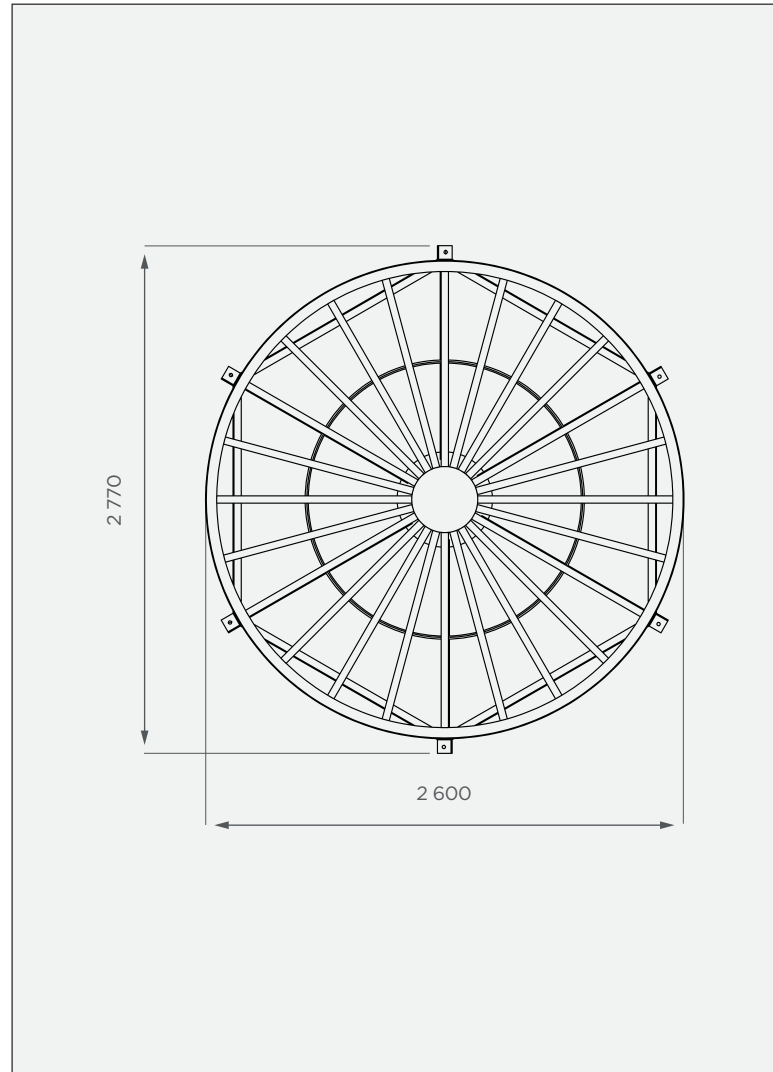
17 000 It Silo Tank Stand

This is a non-stock item

FRONT VIEW



TOP VIEW



PRODUCT SPECIFICATIONS

Availability

Non-stock items are subject to a 14 calendar day lead time

NS

Our tank stands comply with:

- SABS design codes and specifications
- SANS 10160 (where relevant)
- SANS 0162 (where relevant)

Important

Our tank stands are painted with red oxide to prevent rust. Should you want to galvanise your tank stand, you are more than welcome to do so, please just specify that on your order so that we don't paint it with red oxide during the manufacturing process.

Installation Guide & Supporting Documents

- Please ensure that the tank stand is installed as per our instructions (available on our website) to avoid forfeiting your warranty.
- Each size stand has a very specific Engineer's Certificate and technical drawing which should be read in accordance with these instructions.

If you would like us to provide you with the above mentioned documents, please contact us and we will gladly do so (productinfo@jojo.co.za/011 695 8300).

10-year warranty

10
YEAR
WARRANTY

- Made with high-grade steel
- Designed by engineers
- Strong enough to hold the entire weight of the tank when full
- Supplied in a self-assemble kit with all parts required for installation

All dimensions are in millimeters and scale is not 100% to scale. This drawing is the property of JoJo.