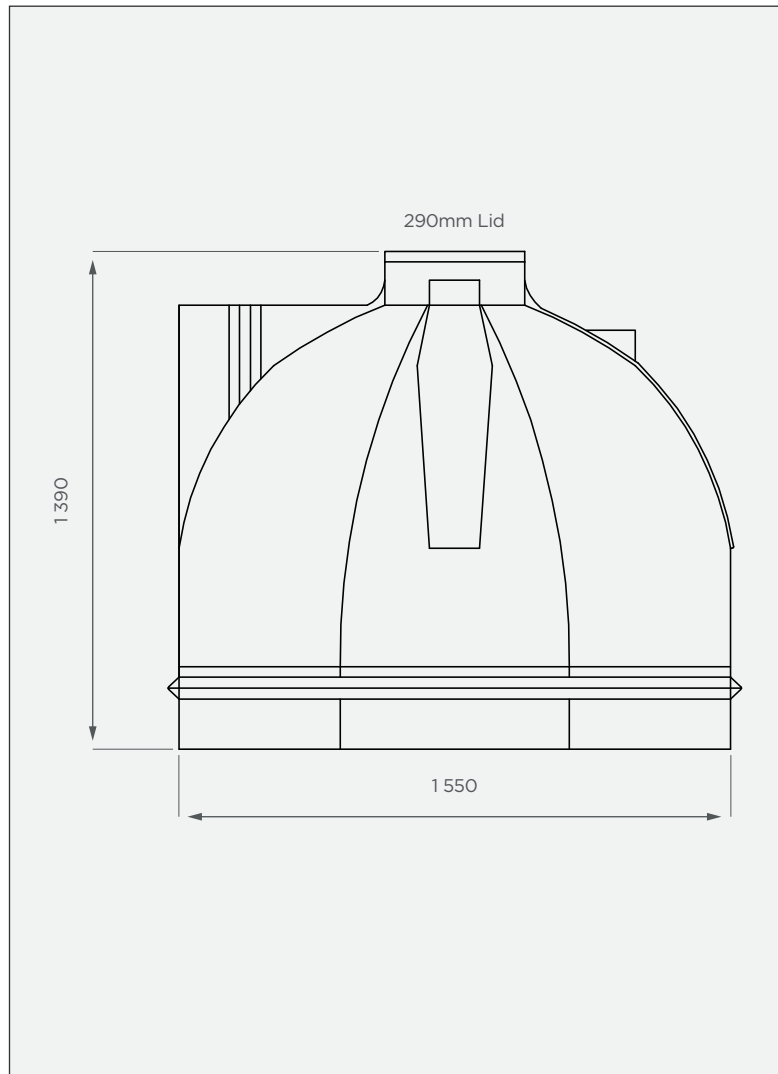


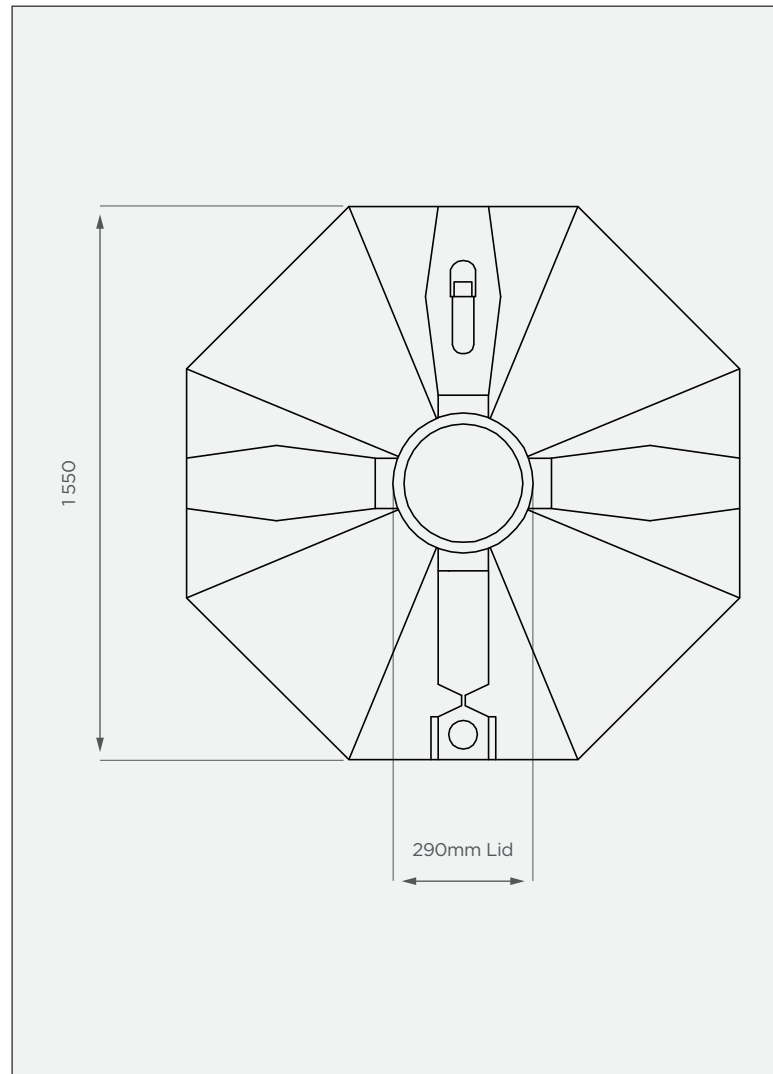
# 1 750 lt Conservancy Tank

This is a stock item in Black

**SIDE VIEW**



**TOP VIEW**



**PRODUCT SPECIFICATIONS**

- not included	<b>Fittings and holes</b>
Lid	<b>290mm</b>

\*To be pumped out

**Standard Colour**

This colour is available at a 7 calendar day lead time.



**10-year warranty**

- Made with recycled LLDPE
- Corrosion-resistant



All dimensions are in millimeters and scale is not 100% to scale. This drawing is the property of JoJo.