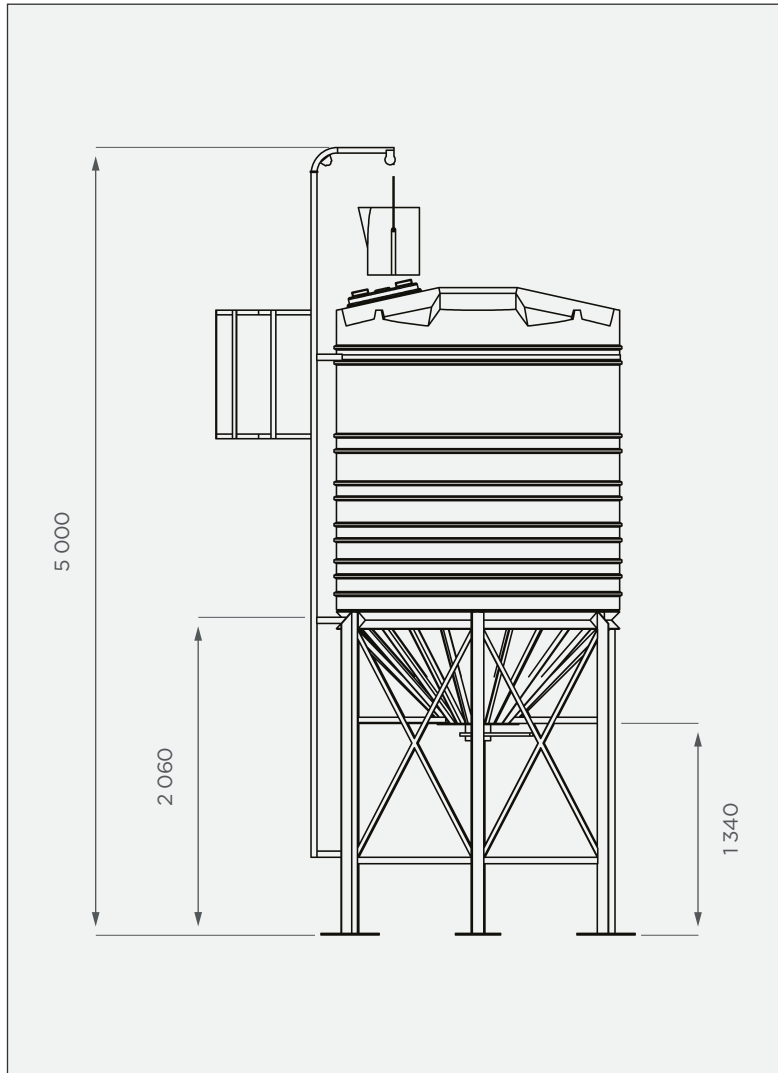


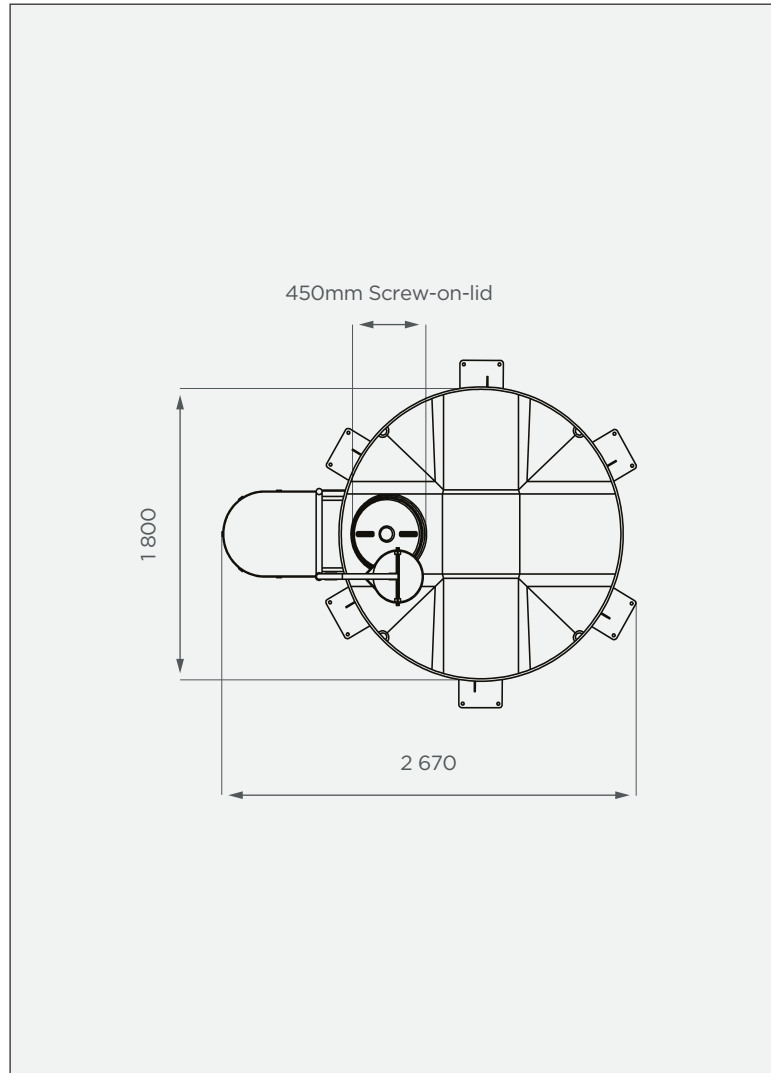
5 000 lt Grain Silo

This is a non-stock item in Natural White

SIDE VIEW



TOP VIEW



PRODUCT SPECIFICATIONS

Chemical/Medium	SG 1.4
Lid	450mm

Supplied with:

- 1 x 5 000lt silo tank
- 1 x silo stand
- 1 x Ladder with swing arm and back rest
- 1 x Silo bucket
- 1 x 160mm sluice

Standard Colour

This colour is available at a 14 calendar day lead time.



Alternative Colours

These colours are available at an extended lead time. Lead time to be confirmed with the relevant branch.



10-year warranty

- Made with the best quality virgin LLDPE
- UV & chemical-resistant



All dimensions are in millimeters and scale is not 100% to scale. This drawing is the property of JoJo.