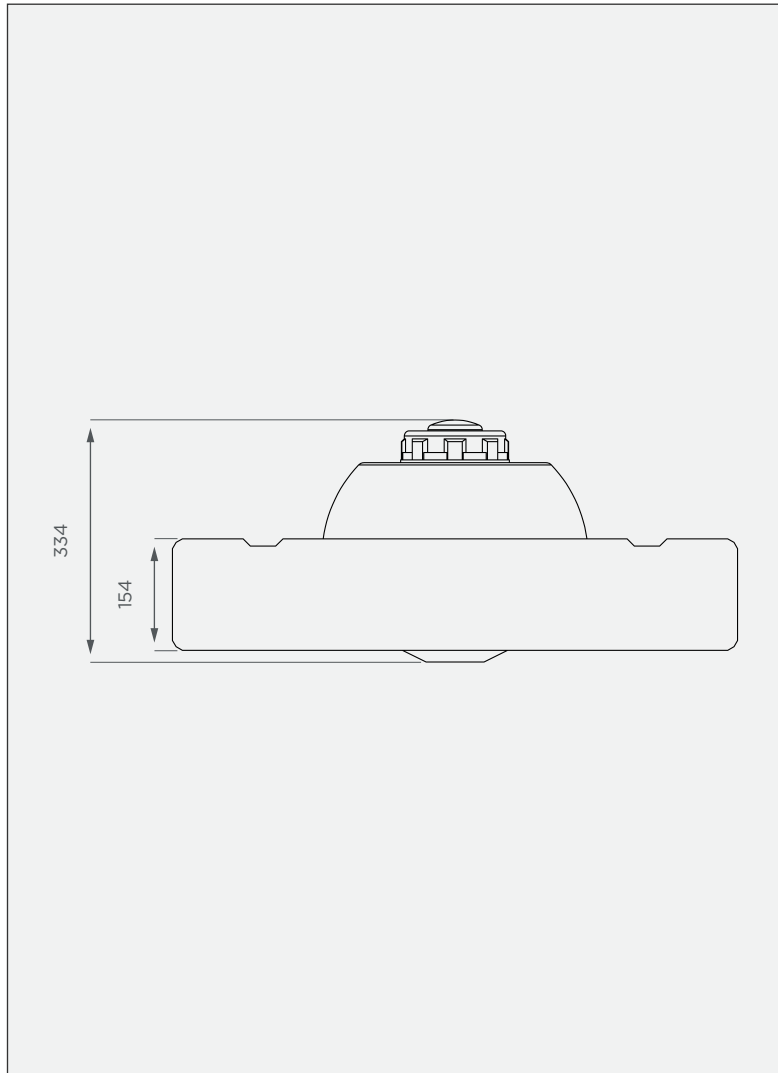


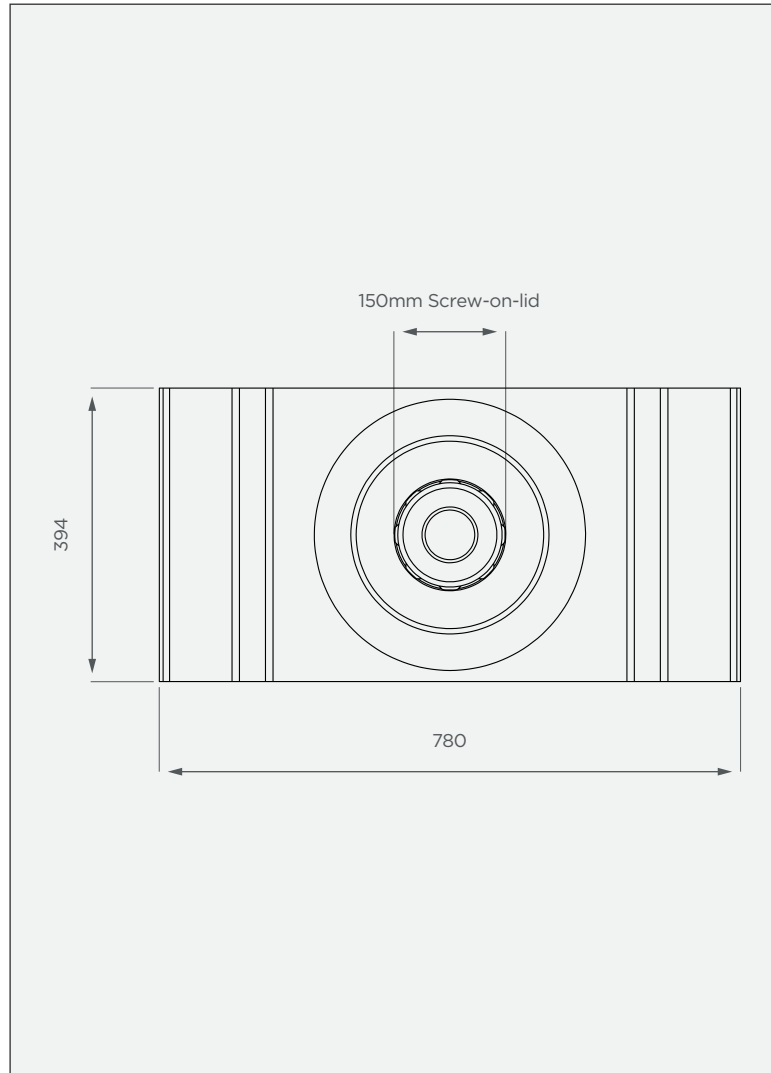
50 lt Quad Bike Tank

This item is only manufactured when ordered

FRONT VIEW



TOP VIEW



Standard Colour

This item is only manufactured to order, at an extended lead time. Lead time to be confirmed with the relevant branch.



3-year warranty



- Made with the best quality virgin LLDPE
- UV & chemical-resistant
- BPA-free

All dimensions are in millimeters and scale is not 100% to scale. This drawing is the property of JoJo.