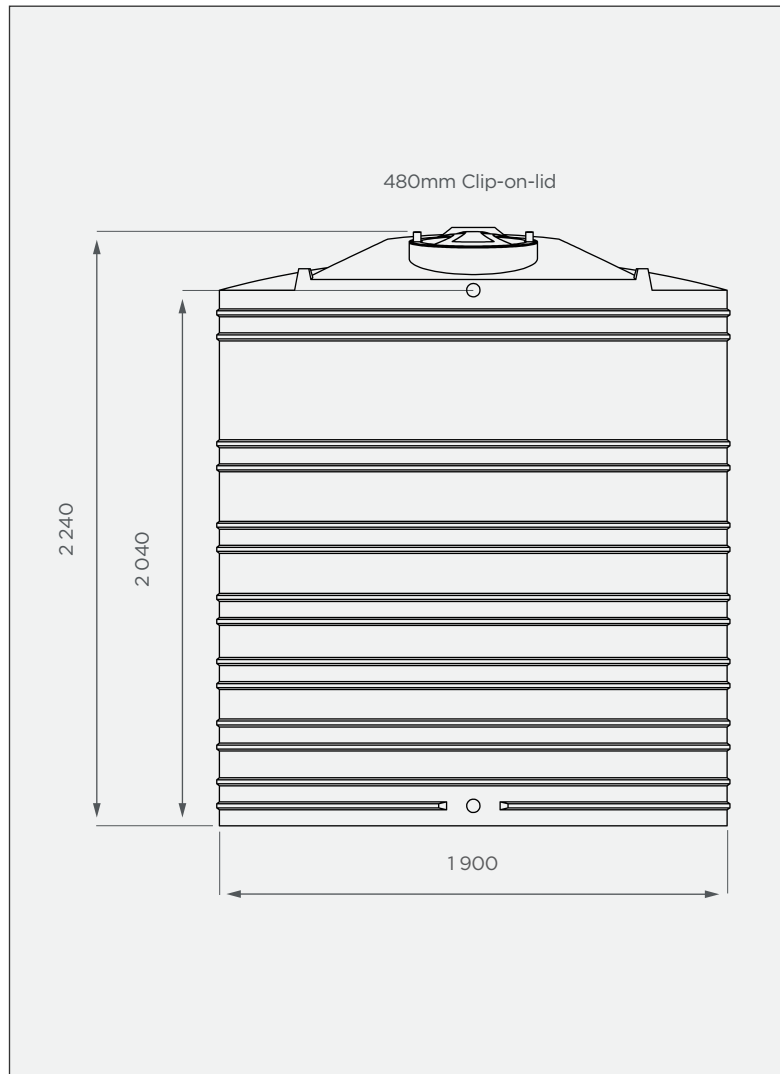


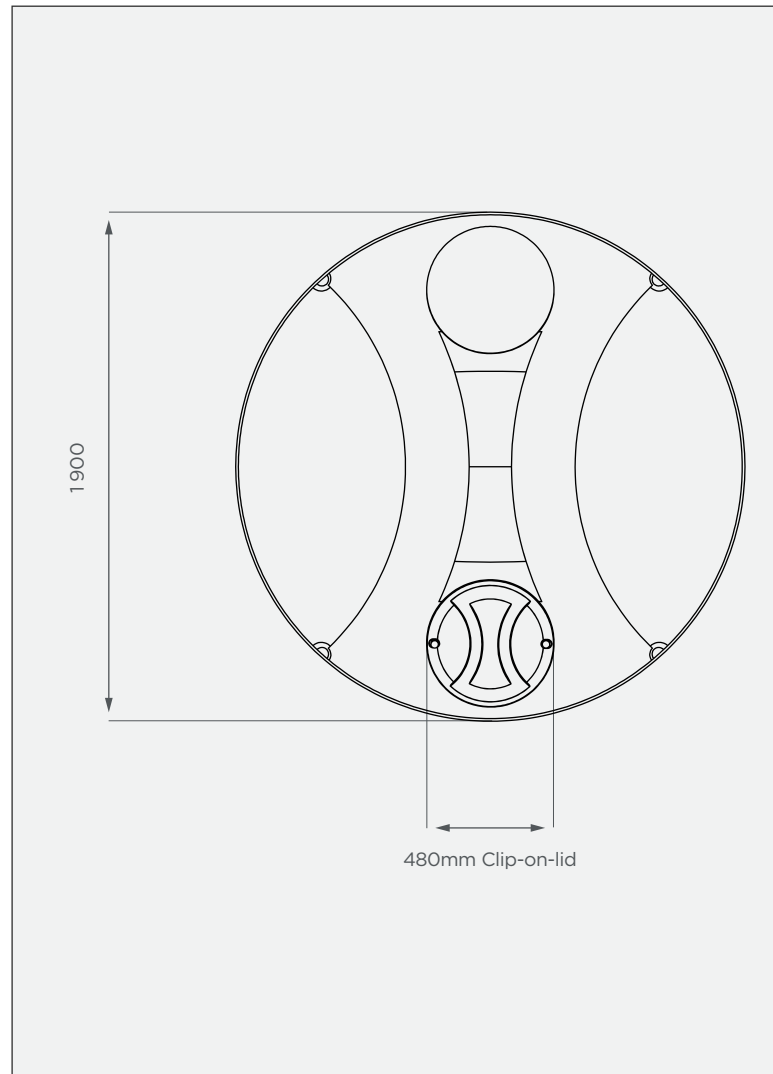
5 500 lt Vertical Water Tank

This item is only manufactured to order

FRONT VIEW



TOP VIEW



PRODUCT SPECIFICATIONS

Water	SG 1
Inlet	40mm female water fitting
Overflow	40mm female water fitting
Outlet	40mm water fitting
Lid	480mm

Standard Colours

The following tank is only manufactured to order, at an extended lead time. Lead time to be confirmed with the relevant branch.



10-year warranty



- Made with the best quality virgin LLDPE
- UV-stabilised outer layer
- BPA-free, food-grade layer prevents leaching of harmful chemicals
- Black inner layer prevents algae growth

All dimensions are in millimeters and scale is not 100% to scale. This drawing is the property of JoJo.