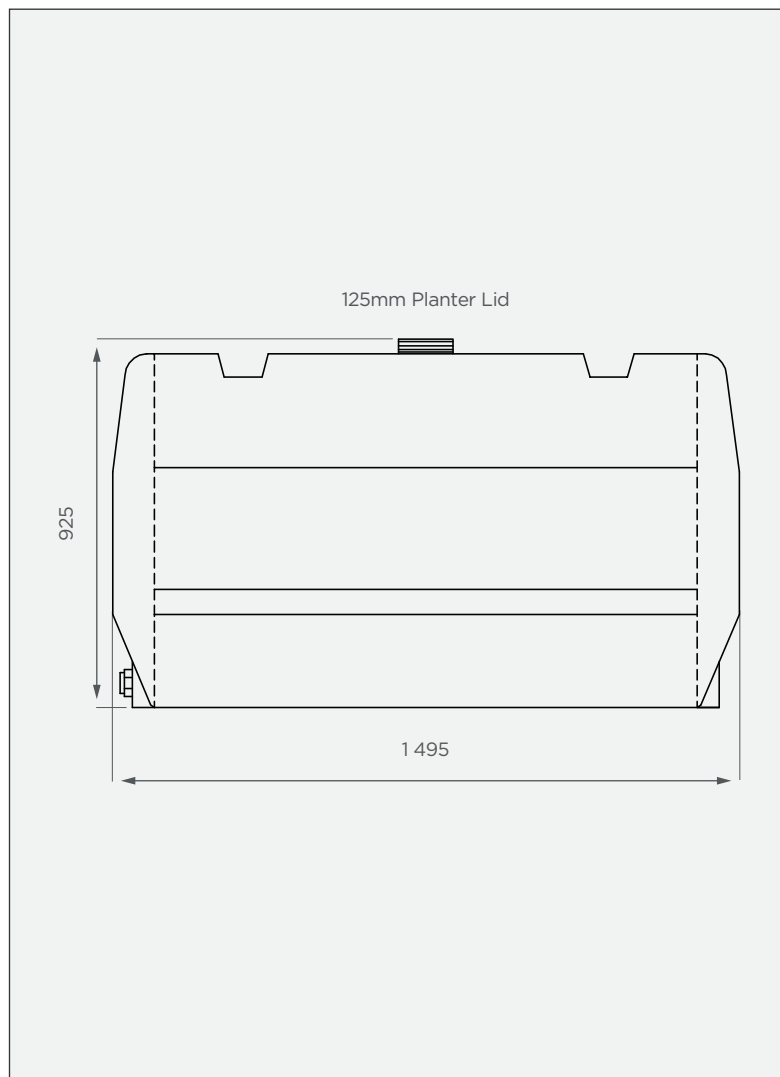


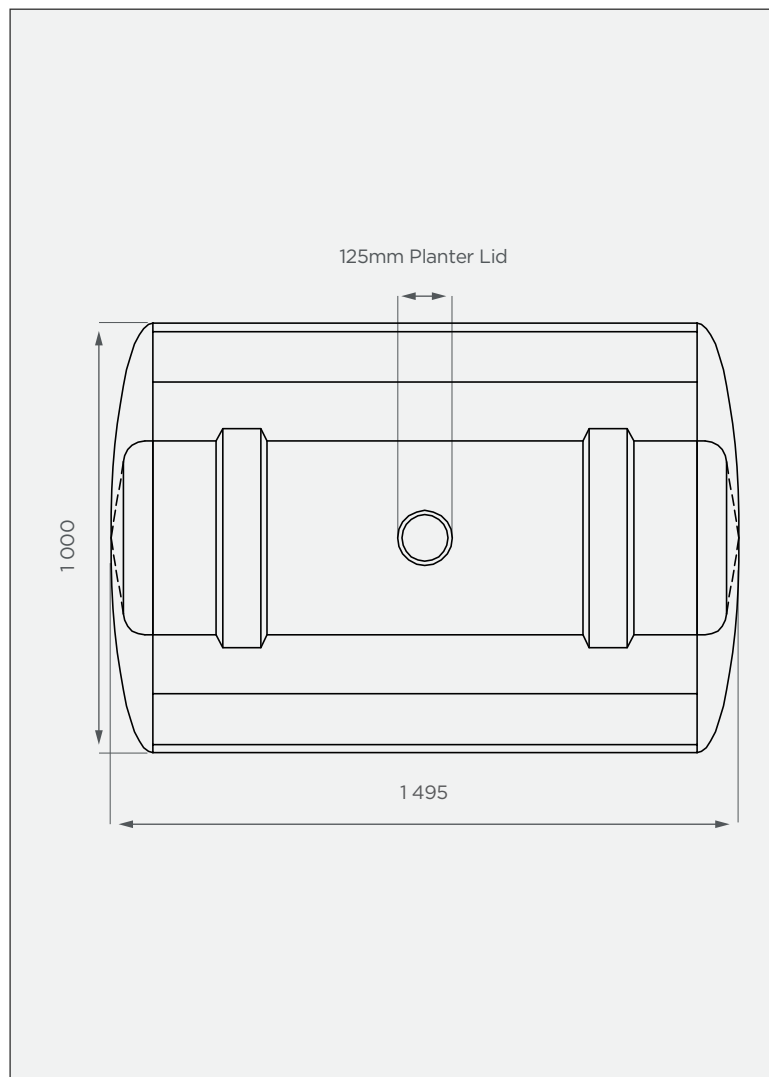
# 900 It Horizontal Medium Tank

This is a non-stock item

**SIDE VIEW**



**TOP VIEW**



## PRODUCT SPECIFICATIONS

Chemical / Medium	SG 1.4
Outlet	40mm connector
Lid	125mm

### Standard Colours

These colours are available at a 14 calendar day lead time.



### Alternative Formats

This tank can be custom manufactured for water storage, but without a black inner lining, and in the following colour.



### Note

Lead time to be confirmed with the relevant branch.

### 10-year warranty

- Made with food-grade, virgin LLDPE
- BPA-free
- UV-resistant & chemical-resistant



All dimensions are in millimeters and scale is not 100% to scale. This drawing is the property of JoJo.