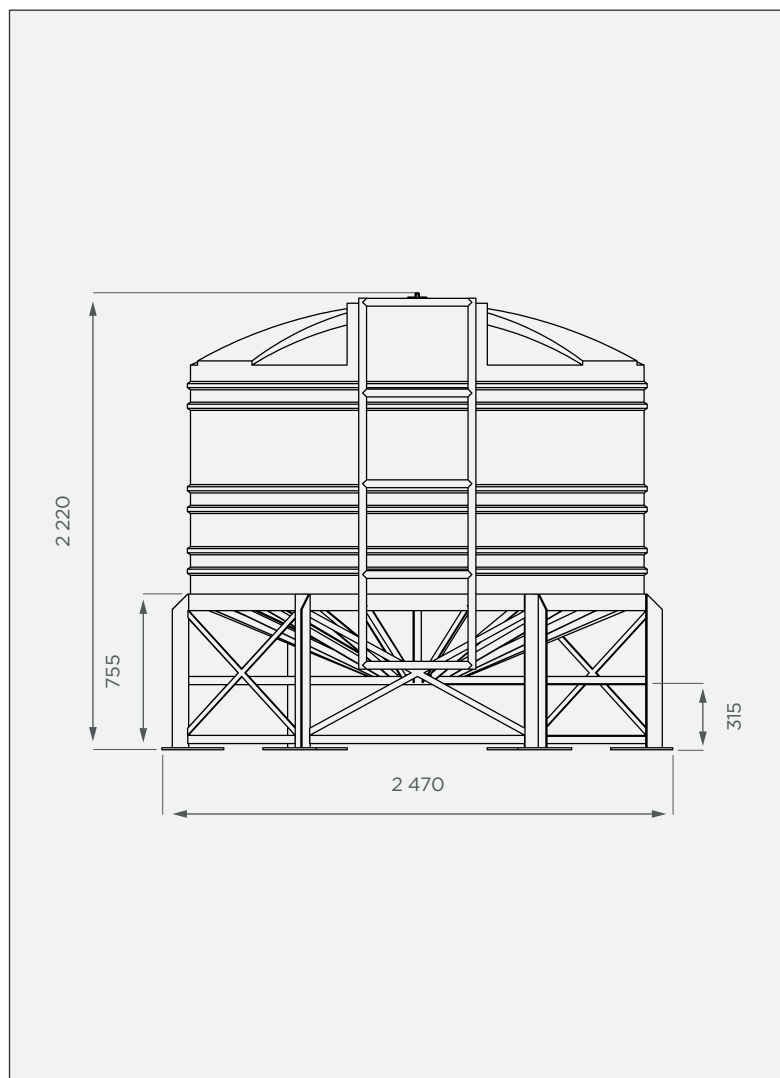


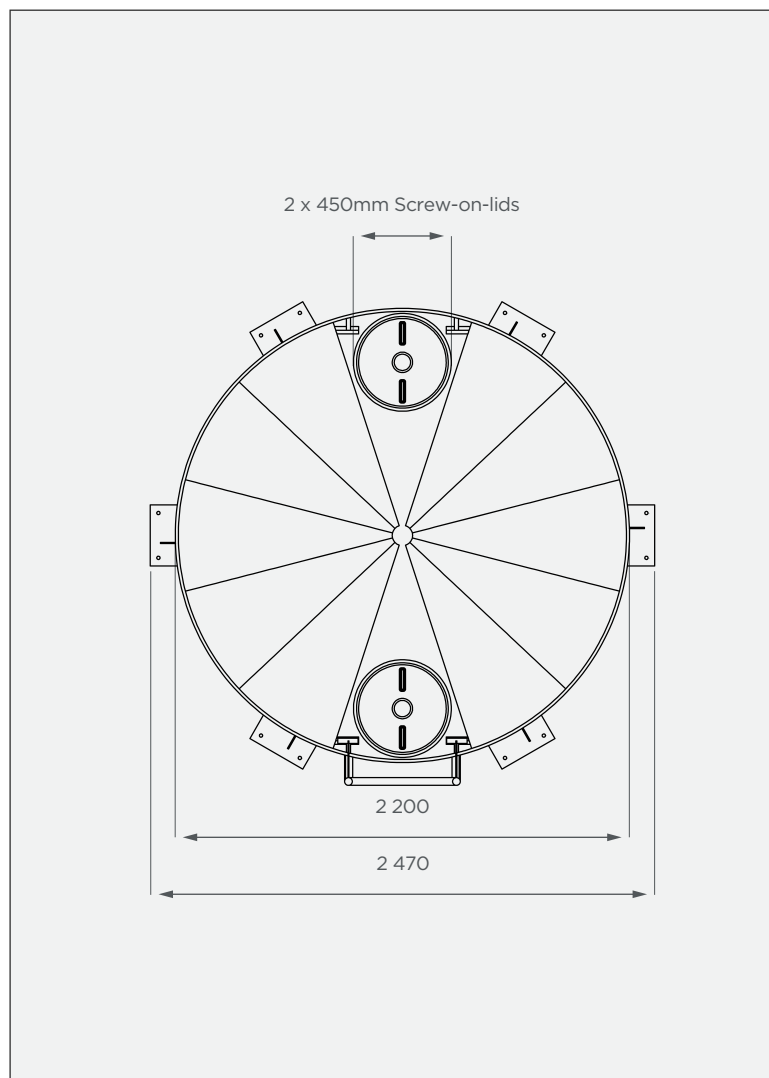
5 000 lt Mixmaster Heavy Tank

This is a non-stock item in Natural White

FRONT VIEW



TOP VIEW



PRODUCT SPECIFICATIONS

Chemical/Heavy	SG 1.6
Lid	2 x 450mm

Supplied with:

- 1 x 5 000lt silo tank
- 1 x Silo stand
- 1 x Ladder for easy access

Standard Colour

This colour is available at a 14 calendar day lead time.



Alternative Colours

These colours are available at an extended lead time, lead time to be confirmed with the relevant branch.



Stand

- Painted with Red-oxide
- Supplied as an assembled unit

10-year warranty



- Made with the best quality virgin LLDPE
- UV & chemical-resistant

All dimensions are in millimeters and scale is not 100% to scale. This drawing is the property of JoJo.