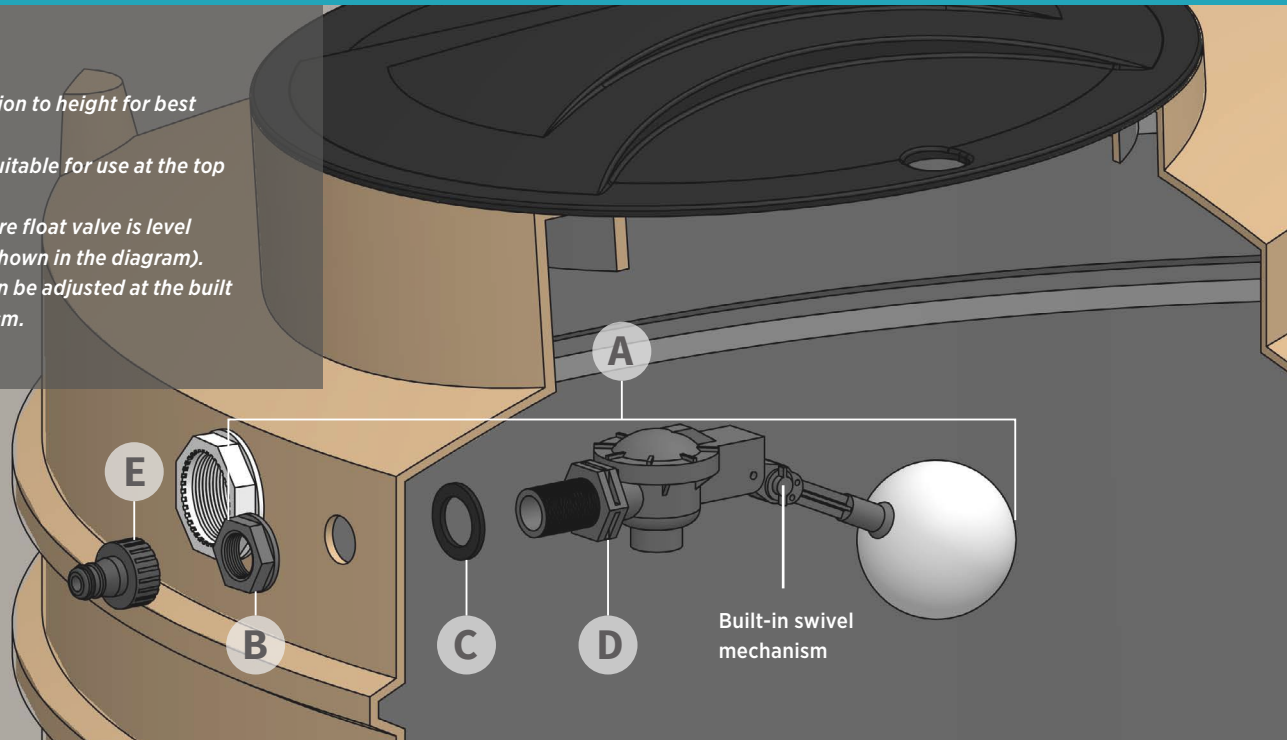


How to connect a float valve

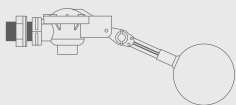
A basic guide on installing a float valve to regulate water levels

Note:

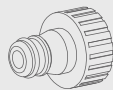
- Pay careful attention to height for best results.
- Float valve only suitable for use at the top of the tank.
- When fitting ensure float valve is level (fit float valve as shown in the diagram).
- Shut off height can be adjusted at the built in swivel mechanism.



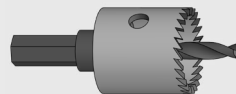
COMPONENTS & TOOLS REQUIRED



A-D. Float Valve Assembly



E. 25mm Tap Connector



Tool: Hole Saw

ASSEMBLY

01

Drill a 25mm hole with a hole saw at the same height as 40mm inlet/overflow at the top of the tank.

02

Remove **(B)** nut from float valve assembly. Refer to illustration for guidance.

03

Fit remaining assembly **(C & D)** to the hole from the inside and screw **(B)** onto the assembly from the outside.

04

25mm Tap connector **(E)** is required to fill tank with a hose. Fit **(E)** to float valve assembly from outside and connect hose.