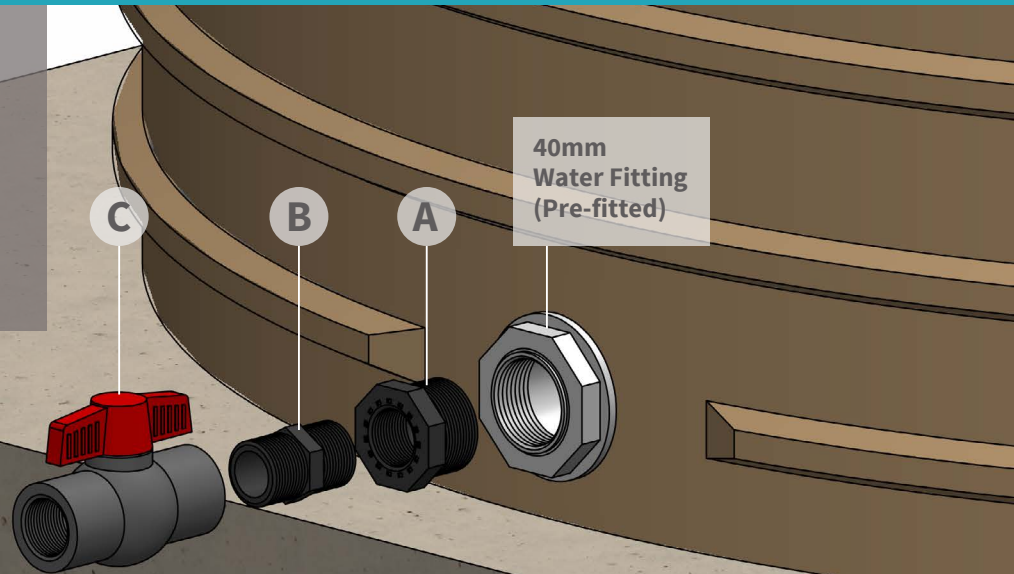


Using a ball valve to connect a tank to piping

A basic guide on how to use the water stored inside your tank

Note: Use HDPE piping of good quality for best results

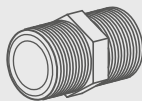
Tip: Use thread tape where required to ensure the connections are properly sealed to prevent water from leaking



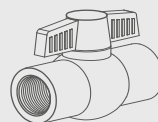
COMPONENTS REQUIRED



A. 40/25 Reducer



B. 25mm Barrel Nipple



C. 25mm Ball Valve

ASSEMBLY

01

Screw **(A)** 40/25mm reducer into existing tank fitting (pre-fitted).

02

Fit **(B)** 25mm barrel nipple into **(A)** 40/20mm reducer.

03

Fit **(C)** ball valve onto **(B)** barrel nipple.

04

Fit desired size piping, 90° bend or T-piece to **(C)** 25mm ball valve as required. Sizes will vary based on installation/setup.