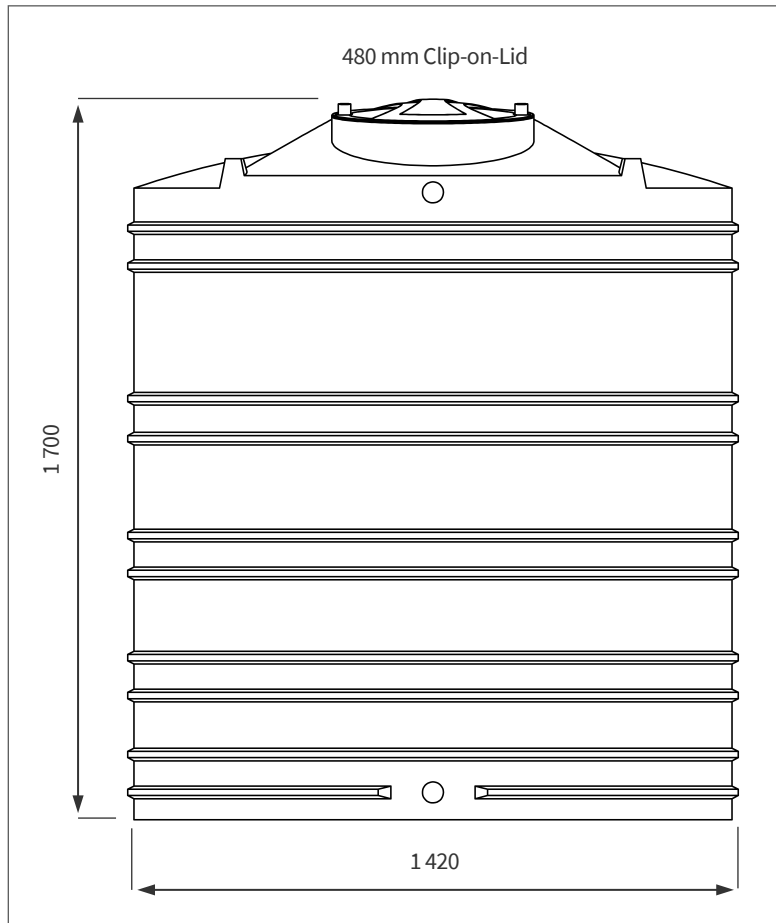


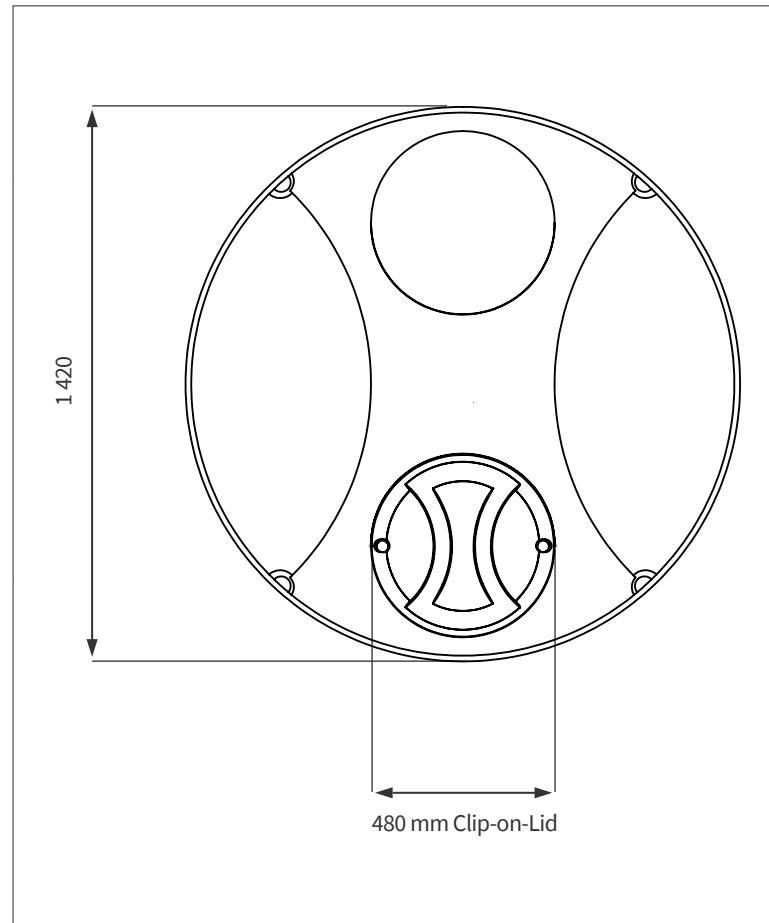
## 2 200 LT VERTICAL WATER TANK

This is a stock item in specific colours

### FRONT VIEW



### TOP VIEW



### PRODUCT SPECIFICATIONS

Water	<b>SG 1</b>
Inlet	<b>40 mm Female W/Fit</b>
Overflow	<b>- No Overflow</b>
Outlet	<b>40 mm Water Fitting</b>
Lid	<b>480 mm</b>

#### Standard Colours

Stock items are subject to a 7 calendar day lead time



#### Alternative Colours

These colours are available at a 14 calendar day lead time



**Note:** Any colours not mentioned above can be custom manufactured at extended lead times.

- 10-year guarantee
- Made with food-grade, quality virgin LLDPE
- UV-resistant & BPA-free

**Note:** All dimensions are in millimeters and scale not to scale

This design is the property of JoJo