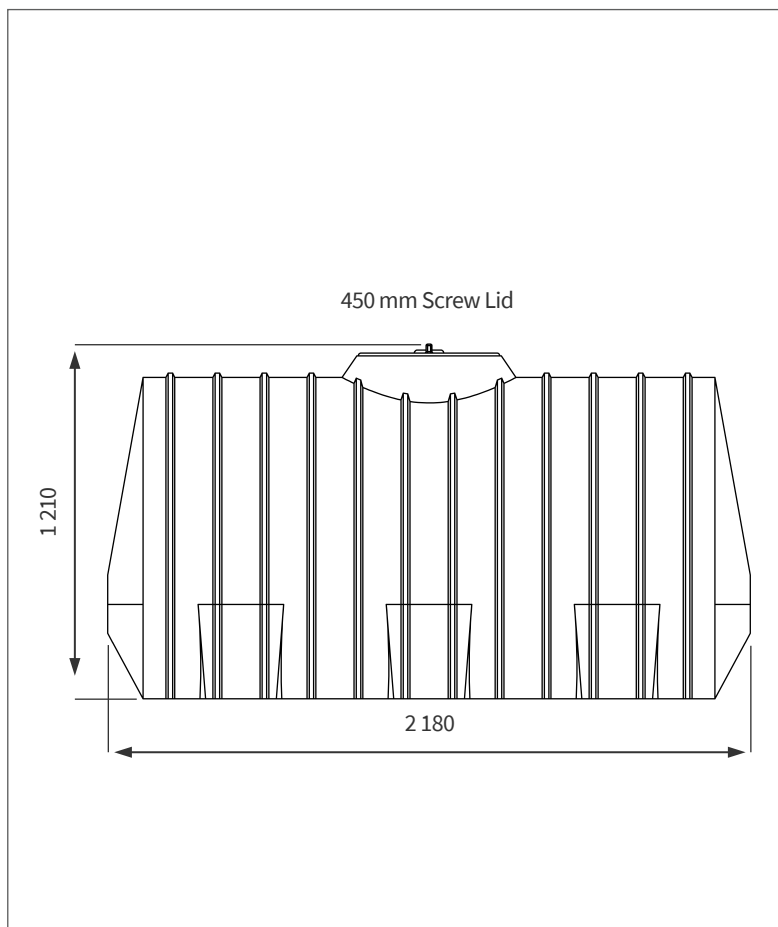


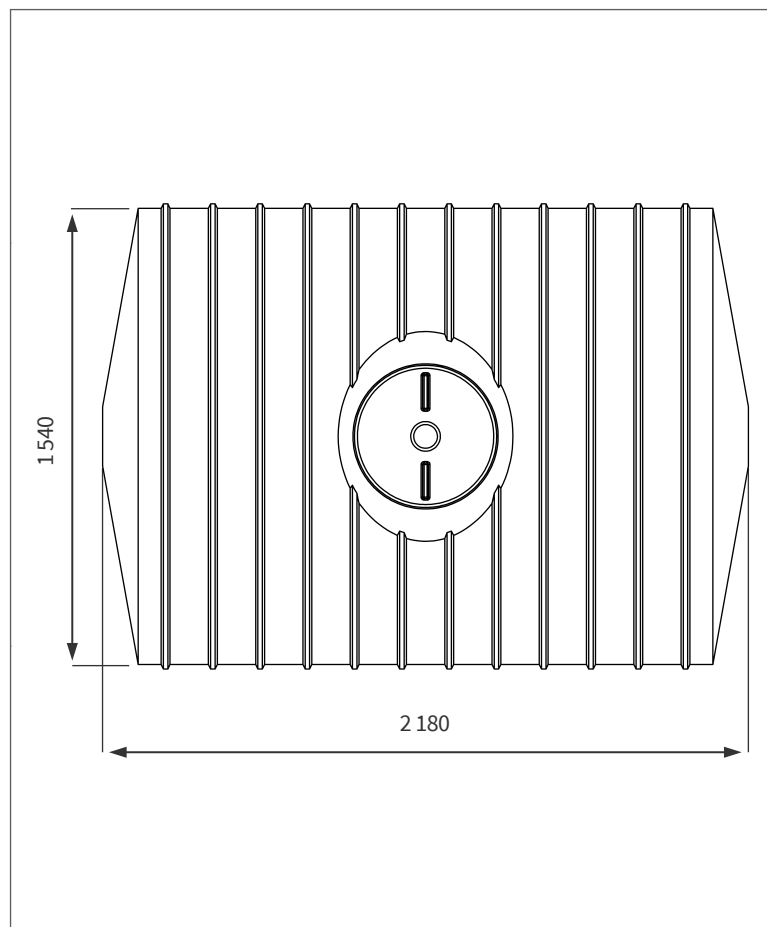
2 500 LT HORIZONTAL WATER TANK

This is a non-stock item

SIDE VIEW



TOP VIEW



PRODUCT SPECIFICATIONS

Water	SG 1
Outlet	50 mm Connector
Lid	450 mm

Standard Colour

This colour is available at a 14 calendar day lead time



Note: Any colours not mentioned above can be custom manufactured at extended lead times.

- 10-year guarantee
- Made with food-grade, quality virgin LLDPE
- UV-resistant & BPA-free

Note: All dimensions are in millimeters and scale not to scale

This design is the property of JoJo