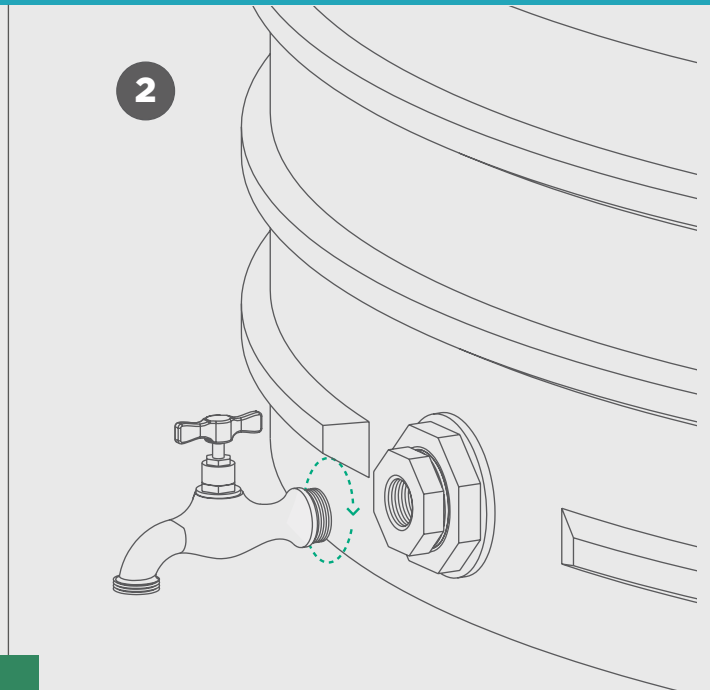
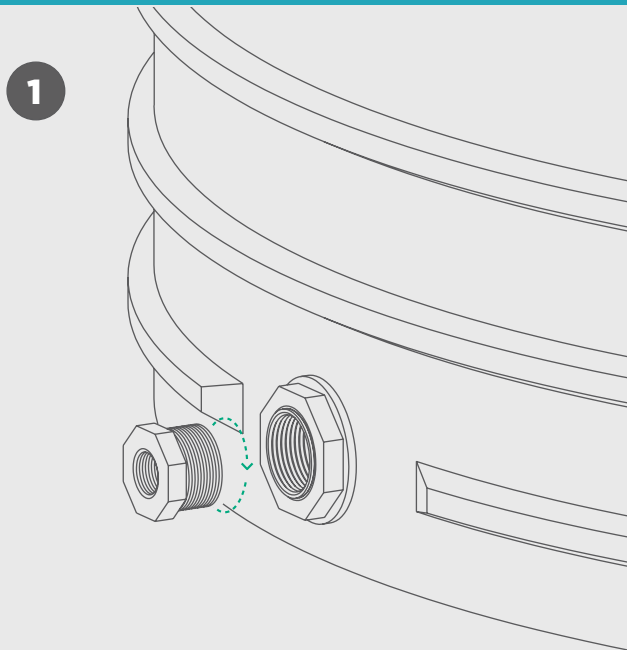
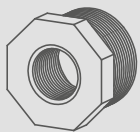


Using the 40/20mm Reducer

Allows for a variety of 20mm connections to your JoJo water tank inlet, outlet and overflow.



COMPONENTS REQUIRED



40/20mm Reducer



20mm Tap

Note:

In this application we use a 20mm tap, but a variety of 20mm connections can be used such as pipes, accessories, adaptors and more. This will depend on your setup and installation.

APPLICATION EXAMPLE

Step 1

Fit the 40/20mm Reducer to the outlet at the bottom of your JoJo water storage tank (which is supplied pre-fitted).

Step 2

Fit your 20mm tap or desired connection to the 40/20mm Reducer.

Important:

It is advised to use thread tape for all connections.