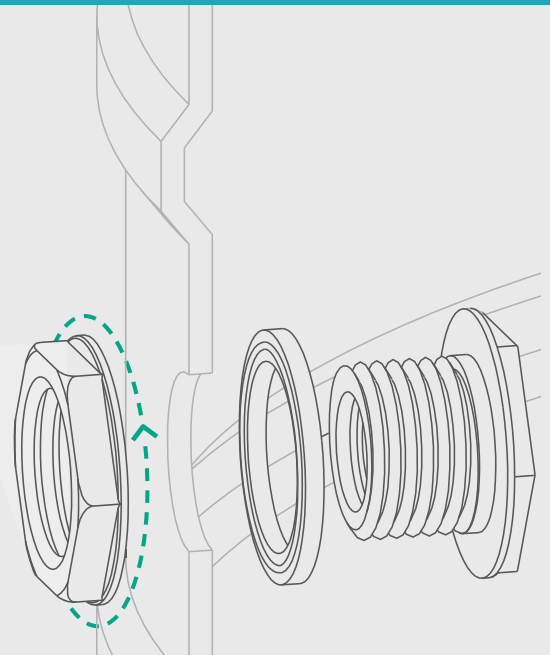
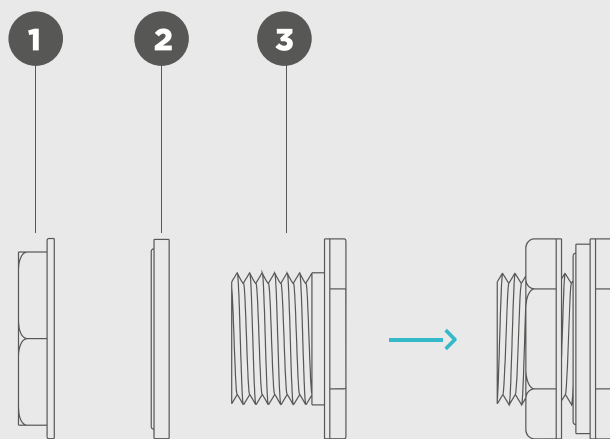
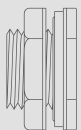


Fitting the 20mm Water Fitting

The standard fitting used for the additional outlet of our Slimline water storage tanks.



COMPONENT REQUIRED



20mm
Water Fitting

Important:
It is advised to use thread tape for all connections.

USAGE INSTRUCTIONS

The 20mm Water Fitting has a front (1) and a back (3) section, as well as a seal (2) that is fitted in between the two.

When fitting it to your tank, the back of the fitting and the seal are fitted from the inside of the tank, while the front is fitted from the outside.