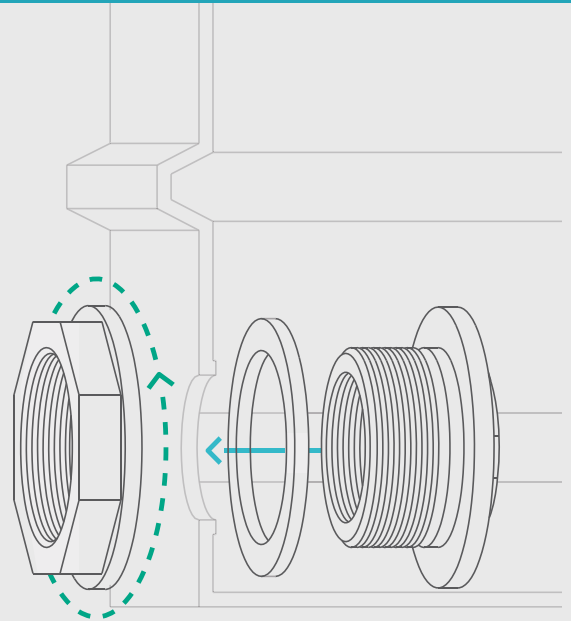
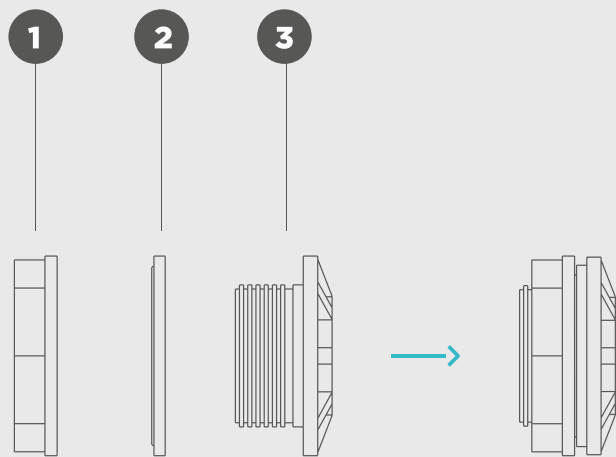
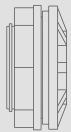


## Fitting the 40mm Water Fitting

Standard fitting used as the outlet at the bottom of our water storage tanks



### COMPONENT REQUIRED



**40mm**  
Water Fitting

*Important:*  
It is advised to use thread tape for all connections.

### USAGE INSTRUCTIONS

The 40mm Water Fitting has a front (1) and a back (3) section, as well as a seal (2) that is fitted in between the two.

When fitting it to your tank, the back of the fitting and the seal are fitted from the inside of the tank, while the front is fitted from the outside.