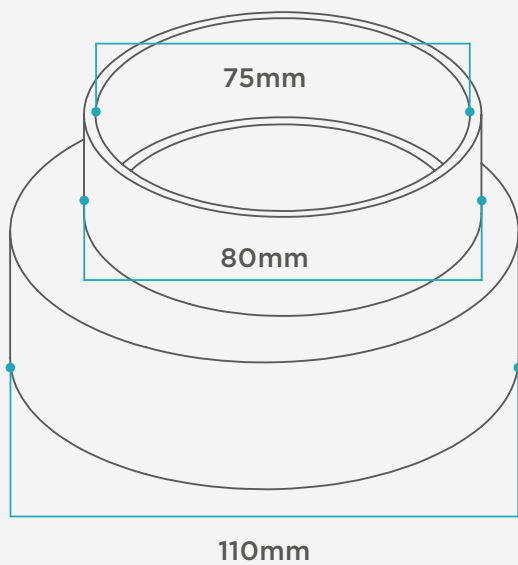
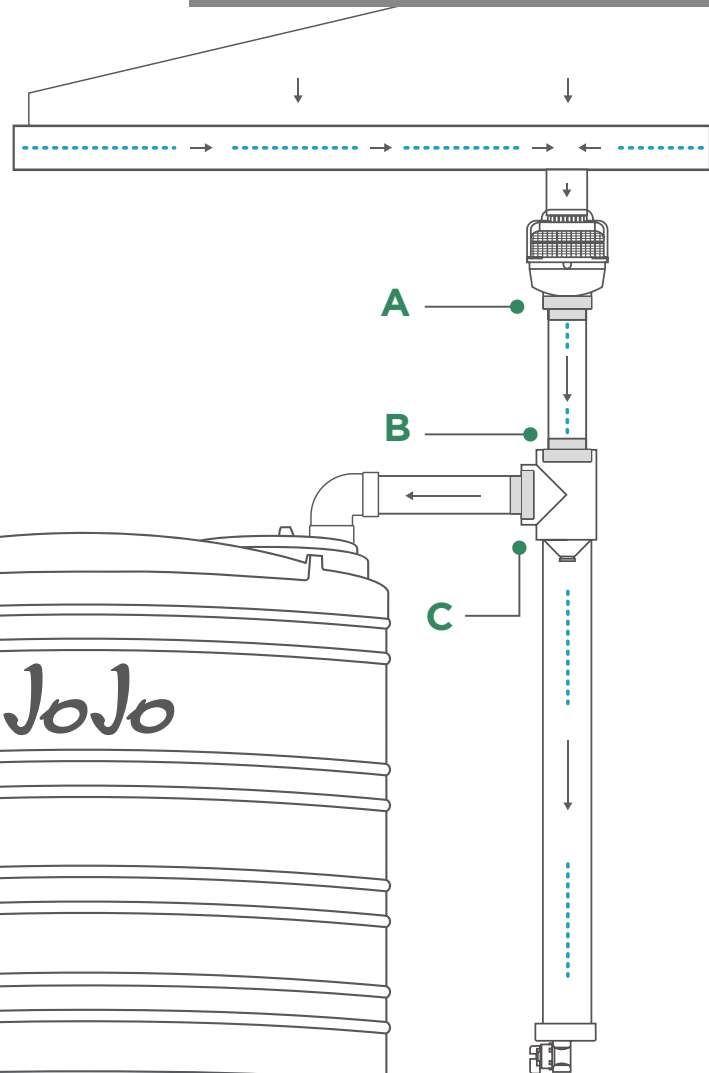


Using our 110mm to 80/75mm Adapter with a rainwater harvesting installation

HOW IT WORKS



Acts as an adapter to connect 80mm or 75mm pipes to a JoJo rainhead or first flush rainwater diverter.



APPLICATION

The adapter can be used as follows:

- (A)** Beneath the rainhead (one adapter is included as part of the rainhead product offering).
- (B)** Top of the T-junction supplying water into the first flush diverter tube. **Note:** if the adapter is used here you will need to use another adapter beneath the rainhead (if a rainhead is used in the installation).
- (C)** Side of the T-junction supplying water into the tank.

Important:

It is advised to always use a 110mm pipe for the diverter tube.