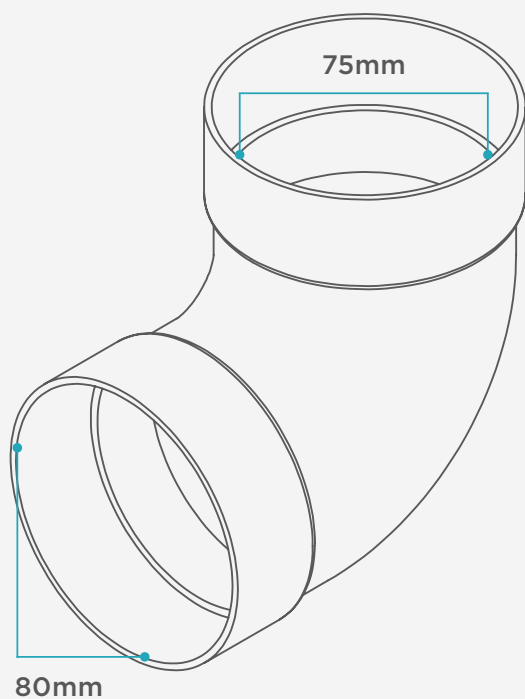
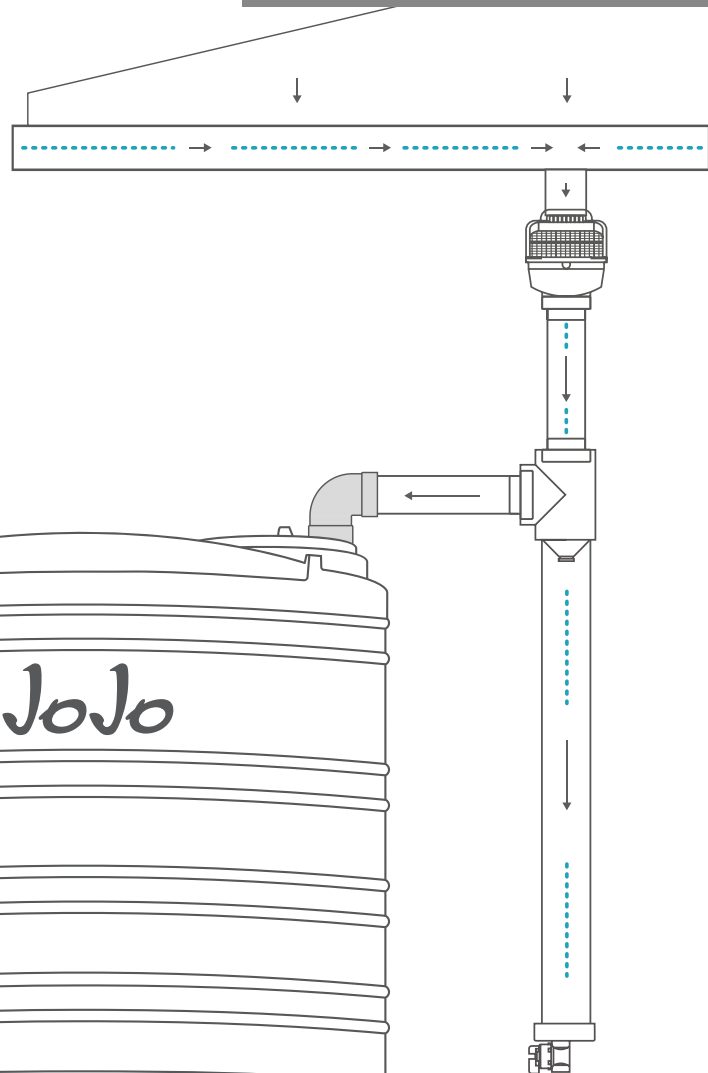


Using our 90 Degree Elbow Adapter 80/75mm with a rainwater harvesting installation

HOW IT WORKS



This elbow adapter allows you to connect a 80mm or 75mm pipe and can also act as an adapter between the two sizes.



APPLICATION

The elbow adapter can be used as follows:

- To connect to either 80mm or 75mm pipe as part of your rainwater harvesting installation.
- As an adapter between 80mm or 75mm pipes.