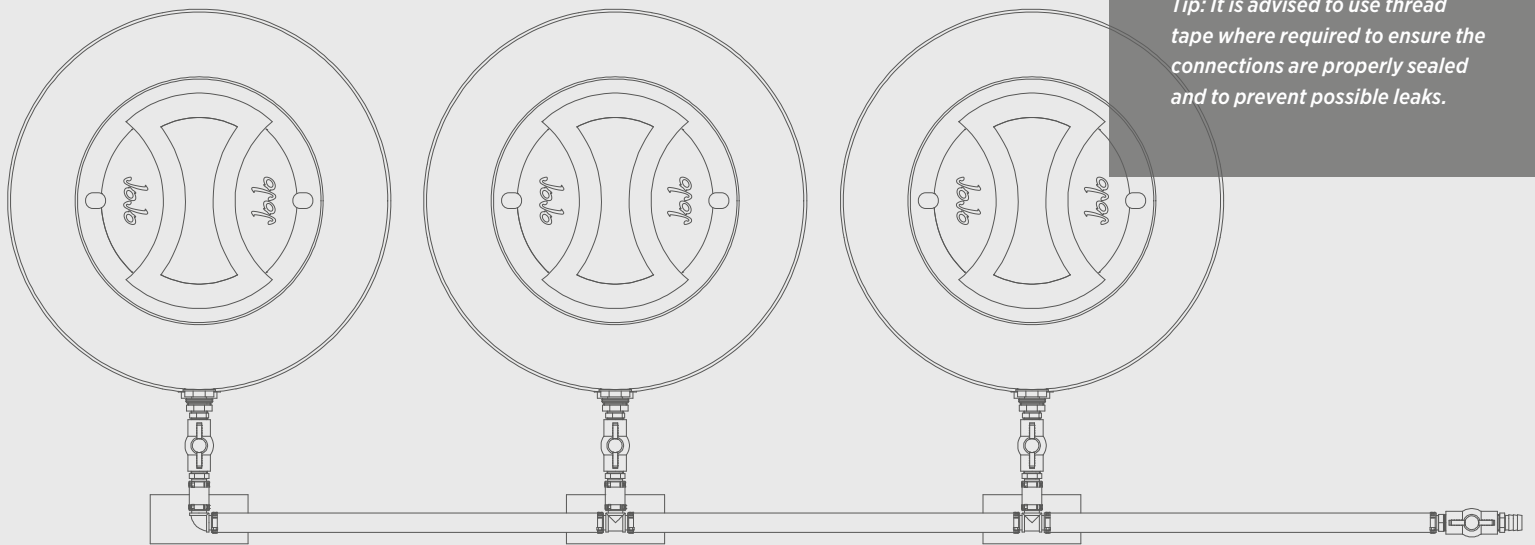


Linking multiple water storage tanks

A basic how to guide



Tip: It is advised to use thread tape where required to ensure the connections are properly sealed and to prevent possible leaks.

IMPORTANT

The following is important to prevent stress on the tank and fittings, and to allow for normal expansion/shrinkage in all weather conditions:

- Use high quality HDPE plastic pipe and fittings (not iron or metal) that allow for flexibility between the tank and main water supply line.
- Connections should always be supported.
- When linking tanks in series please note that it must never be done by connecting them with a straight pipe between the tanks. It is always advised to use elbows/t-pieces to connect to a pipe that is parallel to the tanks and feeds to your mains or pressure pump.

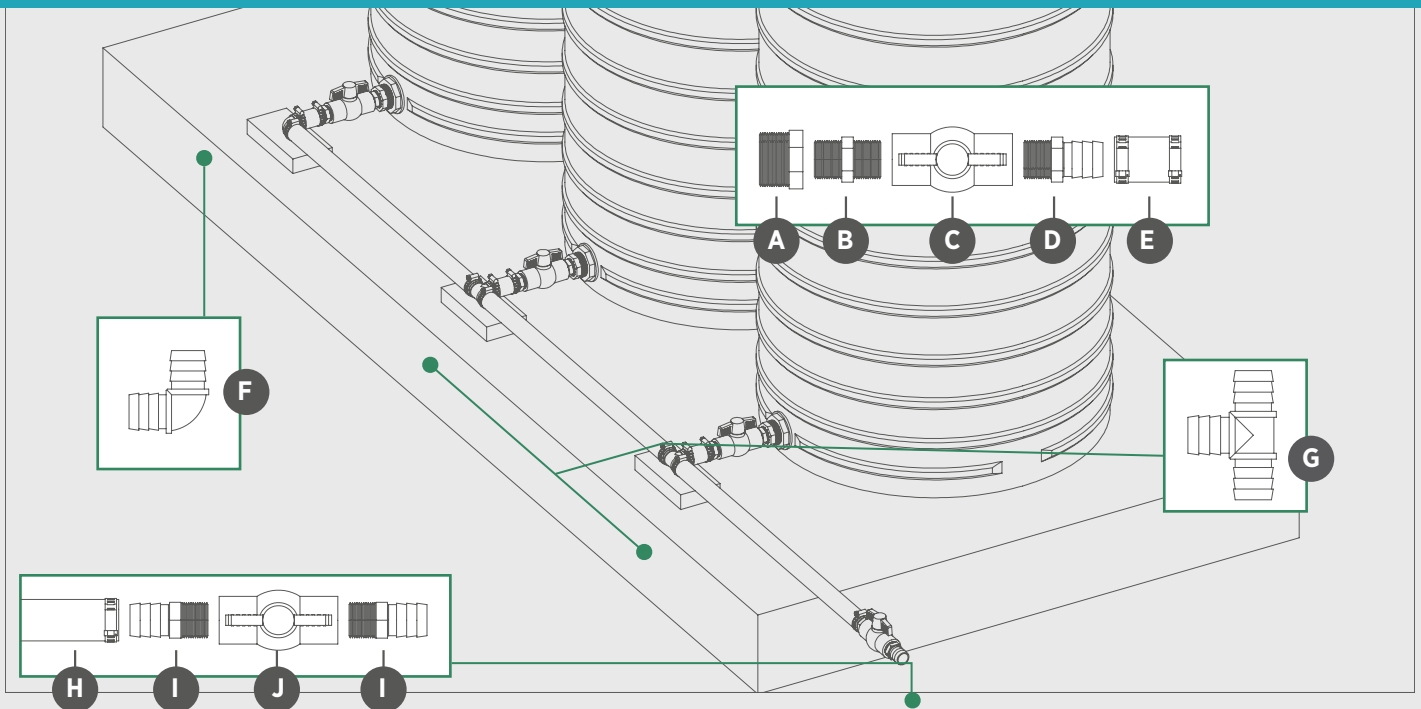
TANK INSTALLATION GUIDELINES

When preparing the foundation for your tank/s, take note of the following:

- Tanks must be installed on a sound, level and smooth surface. Level paving will suffice, or a properly designed tank stand. Alternatively a concrete plinth needs to be built, ideally with a concrete surface bed of at least 85mm thick and 100mm wider than the base of the tank.
- There should be no overhang if the tank is placed onto the base/foundation.
- Should a tank stand be used, supporting beams should not be more than 5 cm apart

Linking multiple water storage tanks

A basic how to guide



COMPONENTS REQUIRED

Connections to tanks:

- | | |
|-----------------------|-------------------|
| A. 40/25 Reducer | E. 25mm HDPE pipe |
| B. 25mm Barrel nipple | with hose clamps |
| C. 25mm Ball valve | F. 25mm Elbow |
| D. 25mm Pipe nipple | G. 25mm T-piece |

Connection from tanks to pump or mains:

- | |
|---|
| H. 25mm HDPE pipe with hose clamps (qty will vary based on setup) |
| I. 2x 25mm Barrel nipples |
| J. 25mm Ball valve |

BEST PRACTISE GUIDELINES

A few basic best practises to take note of:

- The filling rate should never exceed the overflow rate.
- It is recommended to use ball valves to isolate the supply when needed to each tank, as well as your main water supply line.
- For small scale domestic installations 25mm connections will suffice, but we advise using 32mm for larger systems.