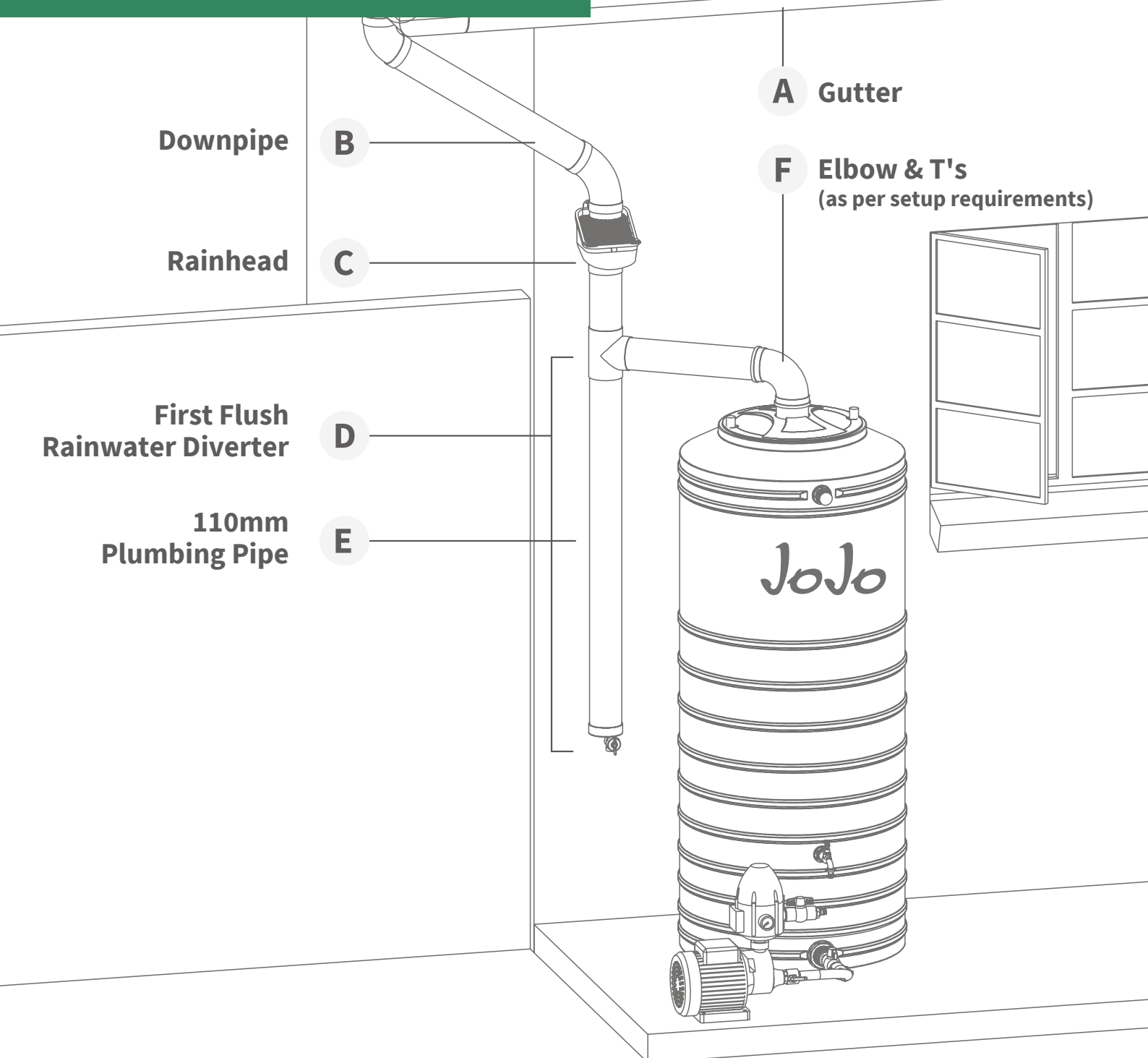


Connecting a gutter to your tank

A basic how to guide

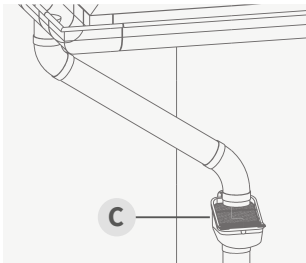
COMPONENTS REQUIRED



Connecting a gutter to your tank

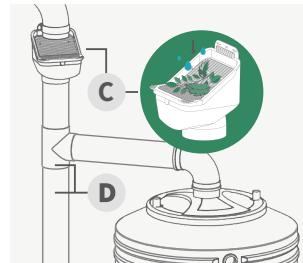
A basic how to guide

INSTALLATION



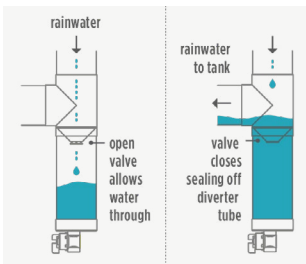
01

Direct existing downpipe to Rainhead **(C)**.



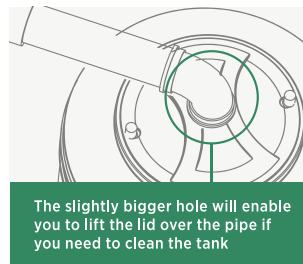
02

Install the Rainhead **(C)** as per the installation instructions on our website (*located on the product page*).



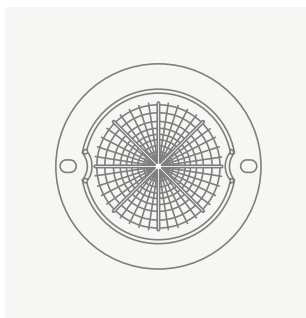
03

Install the First Flush Rainwater Diverter **(D)** as per instructions provided on our website (*located on the product page*).



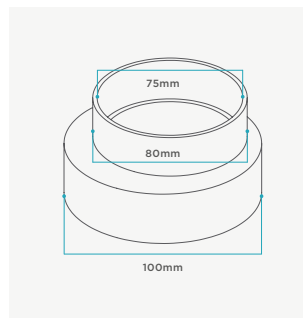
04

Cut a hole of 110.5mm in the middle of the lid and fit the pipe through the hole.



Tip

An additional 480mm Filter Screen can be fitted underneath the lid to keep out smaller debris and further improve the quality of harvested rainwater. Just ensure to clean it out regularly.



Did you know?

Our Rainhead is supplied with an adapter that allows you to connect either 110mm, 80mm or 75mm plumbing pipe to your Rainhead? If however your installation includes a First Flush Rainwater Diverter, we always advise using 110mm pipe from your Rainhead to your Diverter tube.