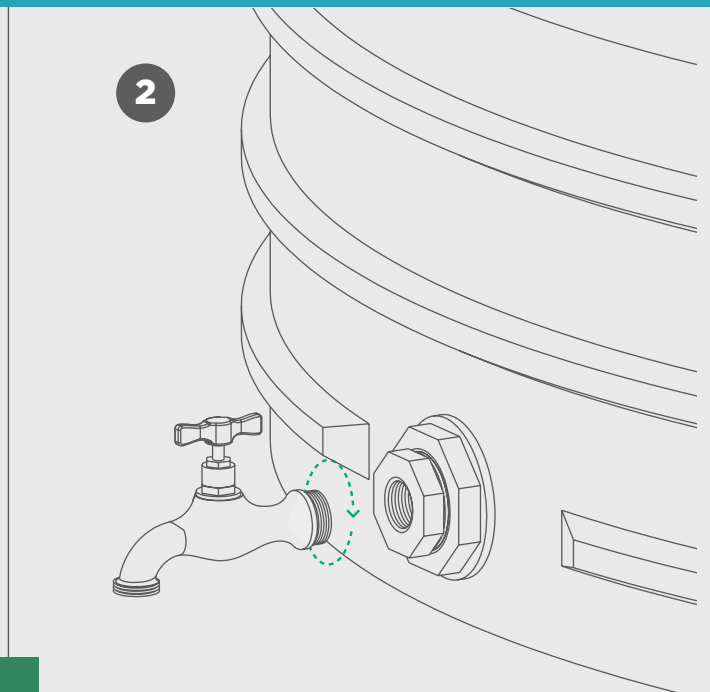
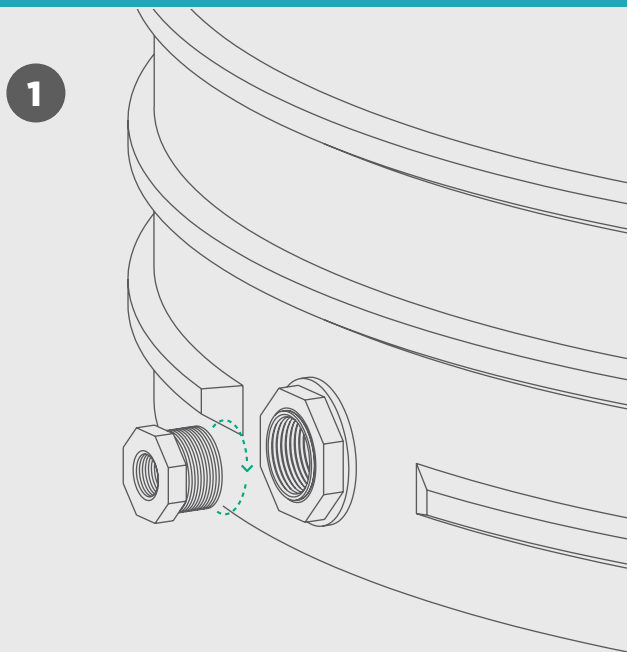
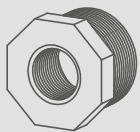


## Using the 40/20mm Reducer

Allows for a variety of 20mm connections to your JoJo water tank inlet, outlet and overflow.



### COMPONENTS REQUIRED



40/20mm Reducer



20mm Tap

*Note:*

*In this application we use a 20mm tap, but a variety of 20mm connections can be used such as pipes, accessories, adaptors and more. This will depend on your setup and installation.*

### APPLICATION EXAMPLE

#### Step 1

Fit the 40/20mm Reducer to the outlet at the bottom of your JoJo water storage tank (which is supplied pre-fitted).

#### Step 2

Fit your 20mm tap or desired connection to the 40/20mm Reducer.

*Important:*

*It is advised to use thread tape for all connections.*