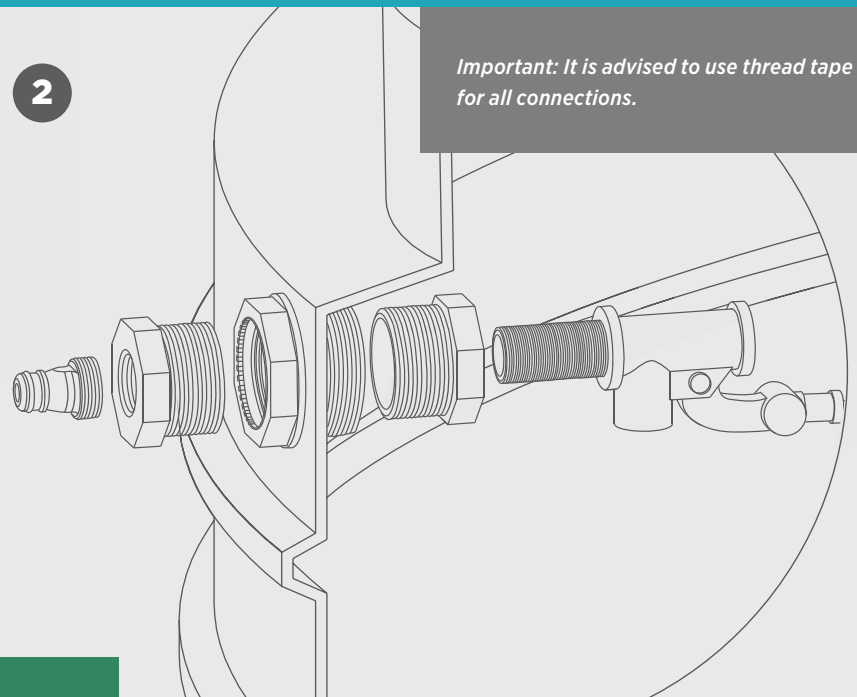
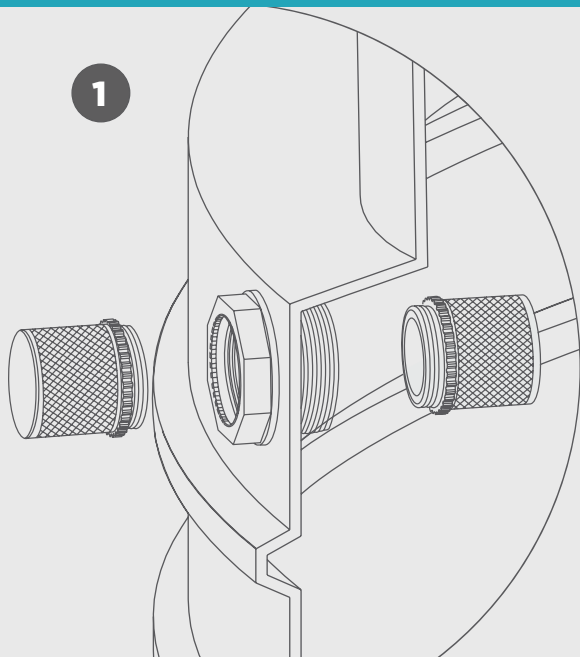


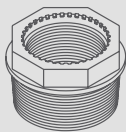
# Using the 50/40mm Full Thread Reducer

Extend the versatility of your tank with this fitting that allows for external and internal connections.



*Important: It is advised to use thread tape for all connections.*

## COMPONENTS REQUIRED



**50/40mm  
Full Thread Reducer**



**40mm  
Tank Mozzie Screen**

**40mm fitting with thread on the inside and outside, new float valve, 2 x 40/20 reducer, 20mm male gardenia.**

**Back-up Water Solution Kit**

## APPLICATION EXAMPLES

### Option 1

Enables you to fit our Tank Mozzie Screen to the inside of your inlet, or the outside of your inlet and overflow to mosquito-proof your tank.

### Option 2

Allows for easy conversion to a back-up water solution. Pair with our Back-up Water Solution Kit for the additional accessories required.

### Note:

*If you bought a JoJo water tank prior to the year 2020, you will not have the 50/40mm full thread reducer fitted to your tank inlet and overflow and will have to purchase this fitting separately.*