

JoJo Booster Pump Flow Controller

Installation and usage instructions

April 2023

Product Specifications

| | |
|-----------------------|--------------|
| Model | PS02.1 |
| Rated voltage | 220-240 V |
| Max. current | 10A |
| Max. working pressure | 10 bar |
| Start pressure | 1 to 2.5 bar |
| Frequency | 50 Hz |
| Protection grade | IP65 |



Pack Contents

| |
|------------------------------------------|
| 1. Flow controller |
| 2. Pressure gauge |
| 3. 2x Small screws |
| 4. 2x Hexagonal threaded gland followers |
| 5. 2x Plastic cable compression rings |
| 6. 2x Rubber grommets |

Note: Our Booster Pump Flow Controller is only suited for use with the following JoJo Booster Pumps:

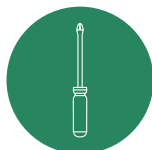
- 0.37kW Booster Pump
- 0.55kW, 0.75kW & 1.1kW Centrifugal Pumps
- 0.6kW Self-priming Jet Pump



Tools Required for Installation



**22MM
SPANNER**



**1 X PHILLIPS HEAD
SCREW DRIVER**



**1 X FLAT-HEAD
SCREW DRIVER**

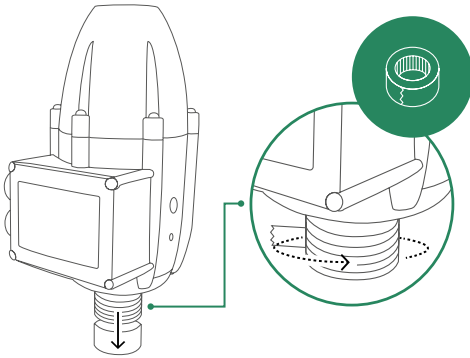


**PTFE
SEALANT TAPE**

INSTALLATION

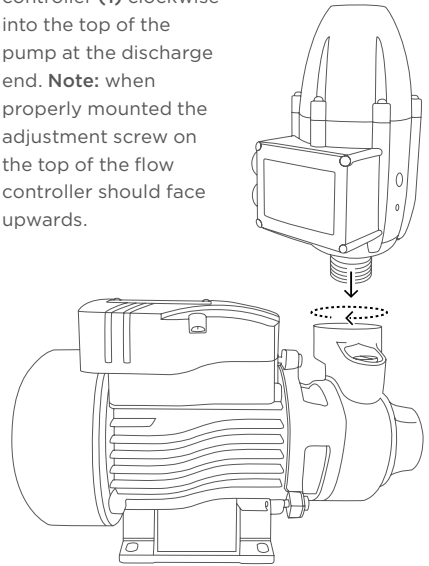
STEP 1

Remove the plastic cover from the inlet of the flow controller (1) and wrap PTFE sealant tape around the inlet in a clockwise direction.



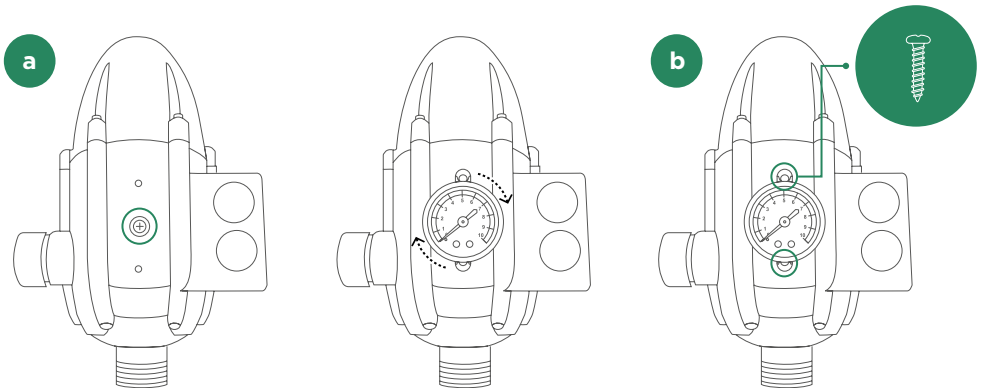
STEP 2

Screw the flow controller (1) clockwise into the top of the pump at the discharge end. **Note:** when properly mounted the adjustment screw on the top of the flow controller should face upwards.



STEP 3

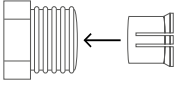
a. Remove the screw on the side of the flow controller (1), and press the pressure gauge (2) into the hole, check the orientation to ensure that it is correct.



b. Firmly secure the pressure gauge (2) in place by using the screws (3) provided. Ensure that it is flush against the flow controller (1) to prevent leakage.

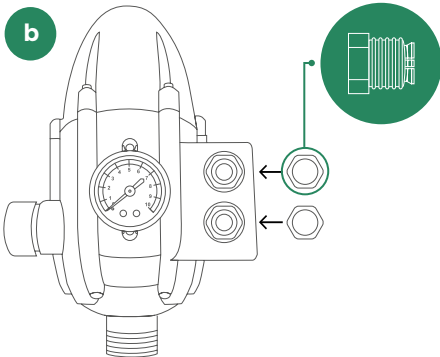
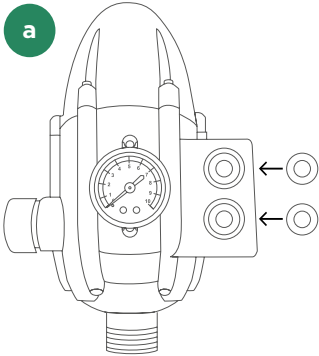
STEP 4

Loosely fit both plastic cable compression rings (5) into the hexagonal threaded gland covers (4).



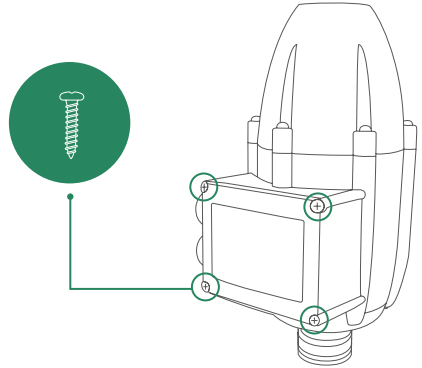
STEP 5

- a. Place the two rubber grommets (6) into the gland housings of the pressure controller.
- b. Fit the assembled cable compression rings (5) and hexagonal threaded gland covers (4) on top of the rubber grommets (6).



STEP 6

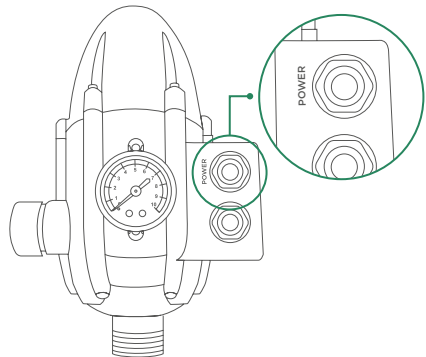
Remove the terminal cover on the flow controller (1) by removing the four screws securing it in place.



STEP 7

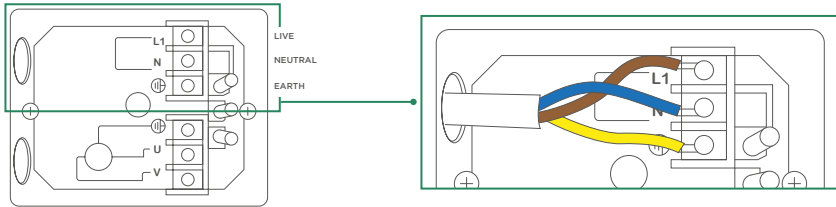
Insert the power supply cable into the top gland labelled "POWER". Connect the wires to the top three power terminals in the following sequence:

- LIVE: brown
- NEUTRAL: blue
- EARTH: yellow



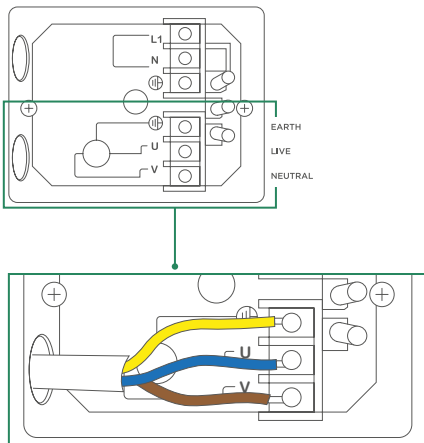
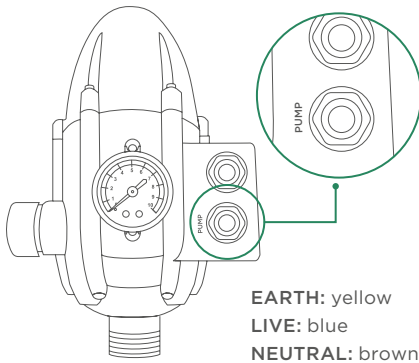
INSTALLATION

STEP 7 (CONTINUED)



STEP 8

Insert the pump supply cable into the bottom gland labelled “PUMP”. Connect the wires to the bottom three power terminals in the following sequence:



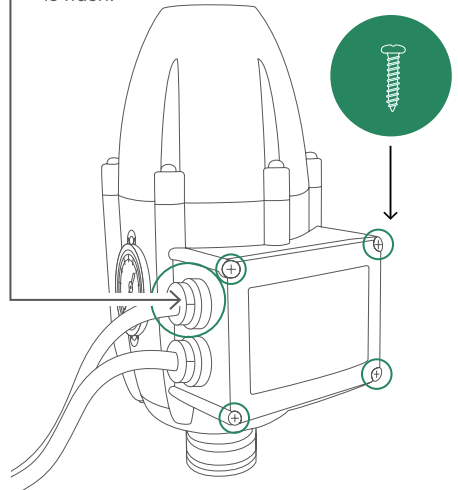
STEP 9

Tighten the glands using a 22mm spanner.



STEP 10

Close the terminal cover, ensure that it is upright and that the glands are properly seated, then secure it in place with its four screws. **Note:** it is important that the cover is flush.



STEP 11

Your pump is now ready to be used. Refer to the instruction manual provided with your JoJo Booster Pump for pump specific usage instructions, alternatively you can download the relevant manual from our website.